

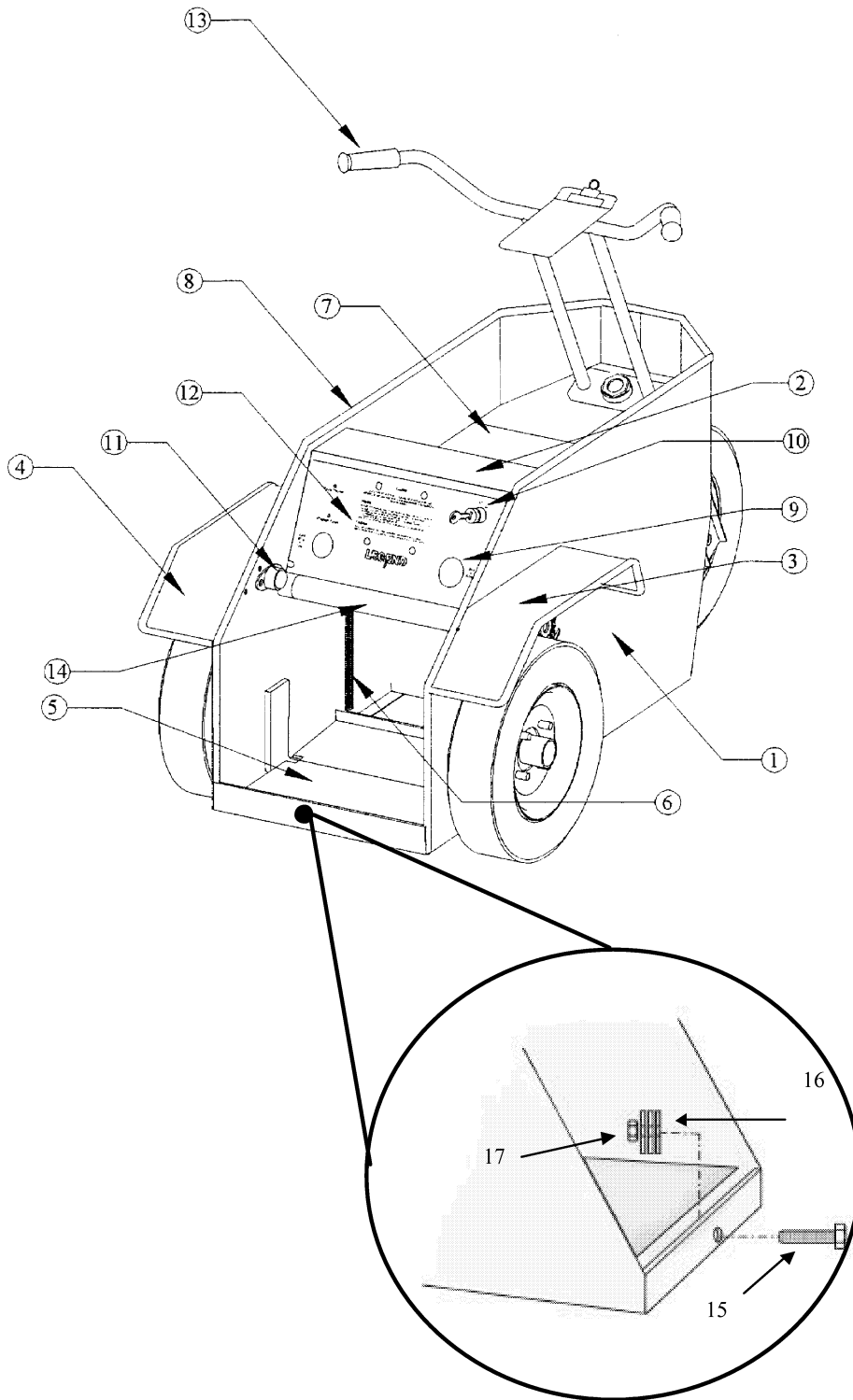
# Chapter 4

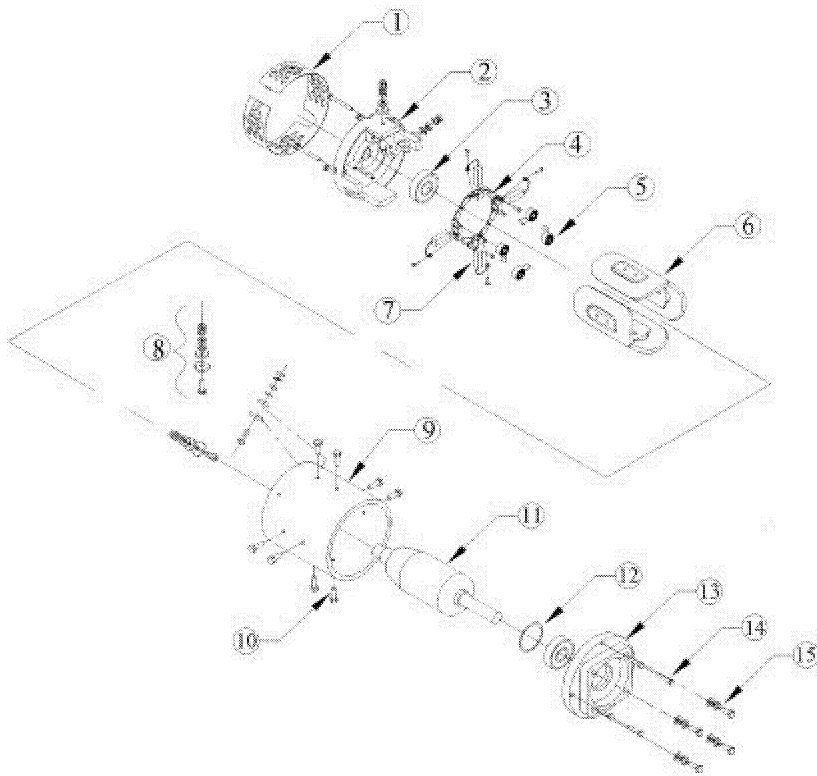
<b>Illustrated Parts List</b>	<b>Page #</b>
<b>BODY ITEMS</b>	<b>2</b>
Parts List	
Schematic	
<b>MOTOR</b>	<b>4</b>
Parts List	
Schematic	
<b>DRIVE HUB &amp; BRAKES</b>	<b>5</b>
Parts List	
Schematic	
<b>FRONT FORK ASSEMBLY</b>	<b>7</b>
Parts List	
Schematic	
<b>SPEED CONTROL SWITCH</b>	<b>8</b>
Parts List	
Schematic	
<b>ELECTRICAL, STANDARD</b>	<b>10</b>
Parts List	
Schematic	
<b>ELECTRICAL, FORWARD &amp; REVERSE OPTION</b>	<b>11</b>
Parts List	
Schematic	
<b>ELECTRICAL, STANDARD (New Key Switch)</b>	<b>12</b>
Parts List	
Schematic	
<b>ELECTRICAL, FORWARD &amp; REVERSE OPTION (New Key Switch)</b>	<b>13</b>
Parts List	
Schematic	

## Body Items

Body Parts List			
Item #	Part Number	Description	Qty. Used
1	19201-00	Body Complete	1
2	51301-00	Cover Control	1
	3987-S	Cap Screw Cover to Body – 5/16-18 x .75”	1
	6703-b	Washer, Cut, 1/4", Plated	1
	7041-B	Washer, Lock 5/16	1
	11735	Tinnerman Nuts – Clipped to Body Frame	1
3	47965-00	Fender, L.H.	1
4	47966-00	Fender, R.H.	1
	3728	Cap Screw, 1/4"-20 X 1/2", HT,	10
	7742	Nut, 1/4"-20, Self Locking	10
5		Treadle Assembly, Complete	1
	40318-00	Treadle	1
	2871-W	Cap Screw, Support Bracket to Spindle	1
	7041-B	Washer, Lock 5/16”	1
	6703-b	Washer, Cut, 1/4", Plated	1
6	11830	Spring, Treadle return, 3/4" x 8-1/2"	1
7	51303-00	Deck Board	1
8	48880-ZZ	Windlace Black (order by the foot)	1
9	69712-00	12V Battery Discharge Indicator (State of Charge Meter)	1
10	69706-00	Switch, Ignition, with Keys	1
	69799-00	Key, Ignition	1
11	71808-00	Switch, Horn Button	1
12	66600-00	Charger, 12v B/I	1
13	56812-00	Handle Bar Assembly	1
	56818-00	Grip, Handle Bar, 7/8"	2
	850	Clip, Stemco, 3", Stainless	2
14	51341-00	Knee Pad	1
	5541	Reclosable Fastener (Hook)	6 in
	5542	Reclosable Fastener (Coop)	6 in
15	4716-W	Bolt, 3/8	1
16	6801	Washer, Flat	3
17	7775	Nut, Nylock	1
	53284-00	Decal, Operating Instructions	1
	46808-00	Warning Decal, CR-10 Directional	1

## Body Items (cont.)





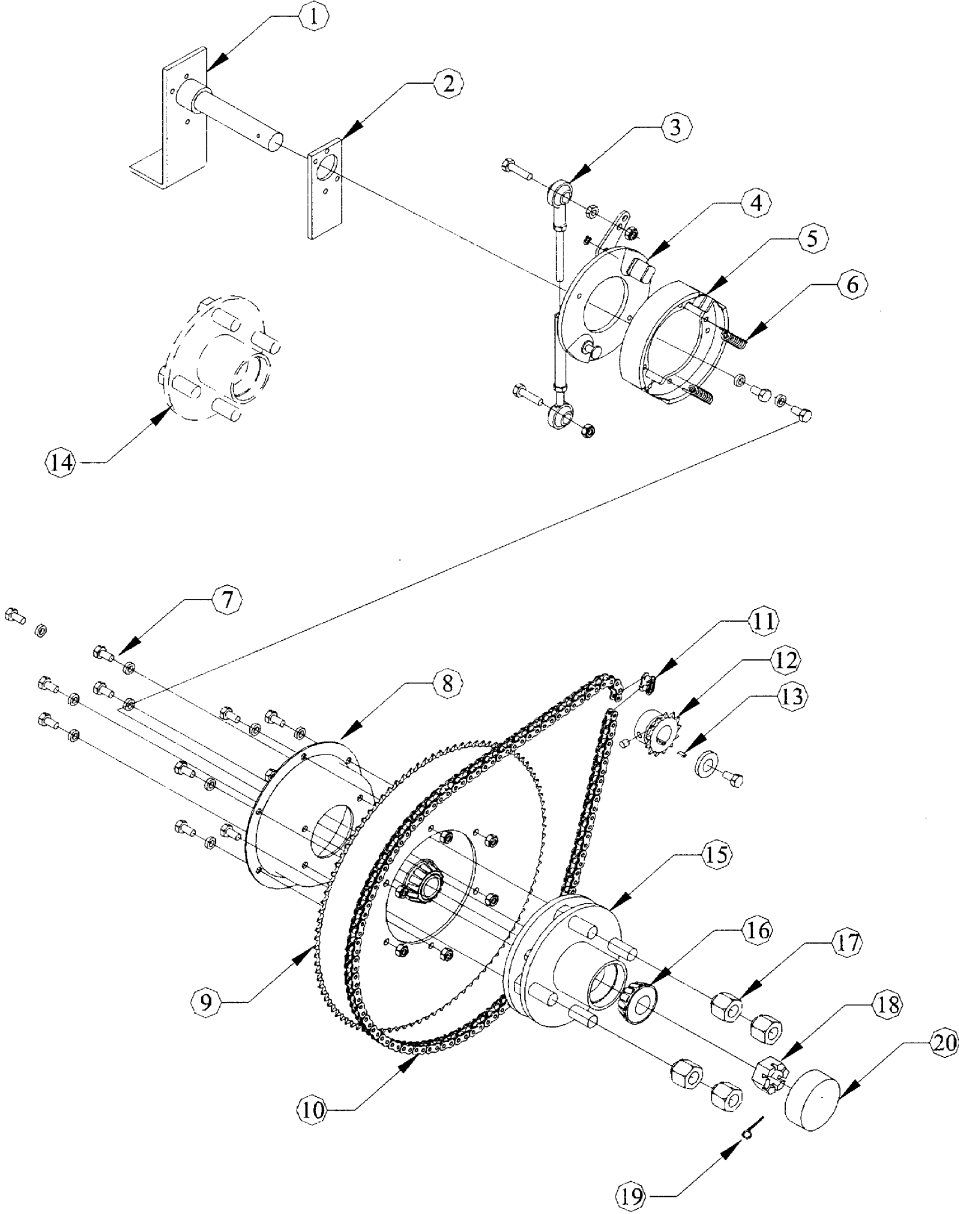
## Motor

Motor Parts List			
Item #	Part Number	Description	Qty. Used
	69400-00	Motor, 12V CR-10	
1		Headband Assembly (inspection band) (76184)	1
2		Commutator End Frame (76194)	1
3		Bearing (76294)	2
4		Brush Holder Plate (76204)	1
5	11839	Brush Spring	4
6		Field Coil Assembly (76214)	1
7		Brush (76304)	4
8		Nut/Washer Package (76274)	4
9		Motor Case (76224)	1
10		Pole Screw (76264)	8
11		Armature Assembly (76214)	1
12		Washer, Wavy (76244)	1
13		Drive Endhead (76234)	1
14		Bolt, Endhead to Body	4
15		Metric, Screw #10	4

## Drive Hub and Brake

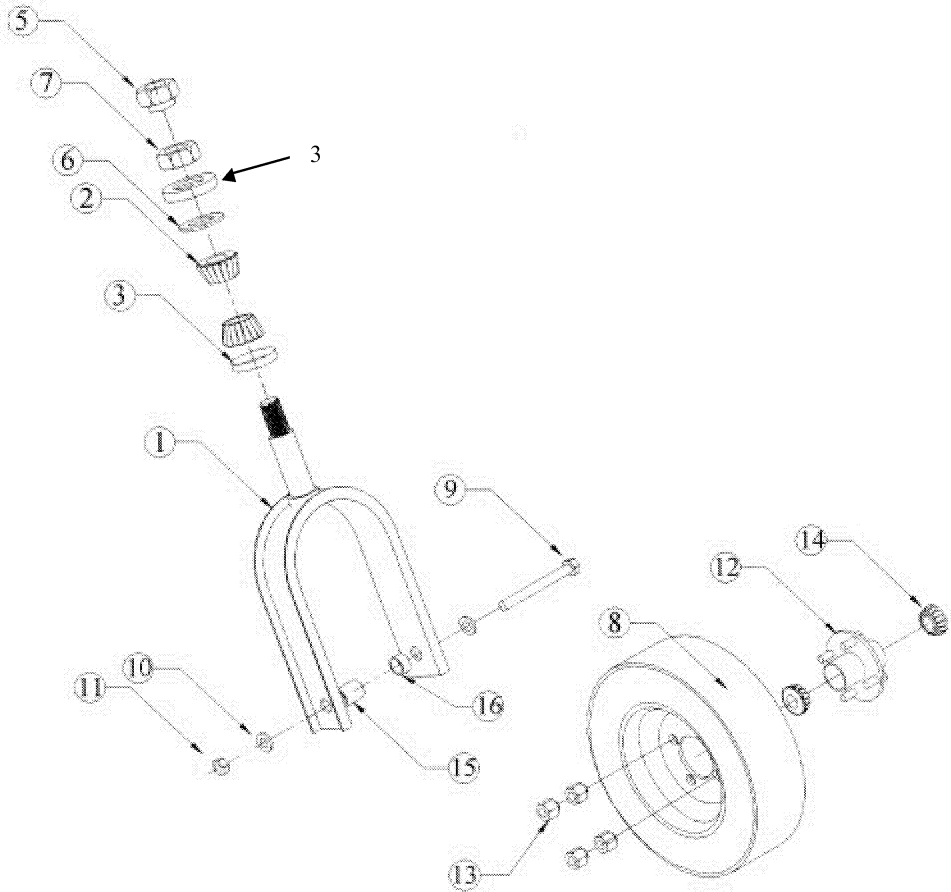
Drive Hub and Brake Parts List (See page 4.5)			
Item #	Part Number	Description	Qty. Used
1	56803-00	Spindle Assembly	1
2	33403-00	Spacer, Brake	1
3		Brake Linkage (2878A16A01)	1
	56806-00	Rod End Bearing 1/4-28, Male, Ball Joint	1
	56809-00	Rod End, 5/16"-24, RH, Female	1
	41205-00	Rod, Brake Link	1
	41208-00	Tube Brake Link	1
	7515	Nut, Standard 1/4-20	2
	2872-W	Cap Screw, 1/4-20 x .5"	2
	7739	Nut, 1/4-20 Lock-Nylon Insert	2
	41211-00	Brake Cluster (includes backing plate, shoes and springs)	1
4	41284-00	Brake Backing Plate	1
	41331-00A	Brake Cluster Lever	1
5		Brake Shoes (set) (19868)	1
6		Brake Springs (19878)	2
7	3767-B	Cap Screw, 1/4-20 x 5/8"	10
		Washer, 1/4" Standard (00066)	10
	7739	Nut, 1/4-20 Lock-Nylon Insert	10
8	41217-00	Brake Drum	1
9	33406-00	Sprocket, 96t 4.85 Bore #35 CH	1
10	33409-00	Chain, #35, 55 Link W/ Masterl	1
11	33413-00	Master Link, #35 Chain	1
12	33400-00	Sprocket, 13 T 3/16" Key # 35	1
13	33401-00	Key, Sprocket to Motor	1
14	56801-00	Hub, FRT & LFT 4 Hole (For reference only)	2
15	56821-00	Hub, Dual Flange	1
16	9089	Bearing, Cone, Sealed	6
17	43152-66	Lug Nuts (also for non-drive hub)	8
18	82713-96	Castle Nut	2
19	560	Cotter Pin	2
20	56827-00	Cap, Dust	1

**Drive Hub and Brake (cont.)**



# Front Fork Assembly

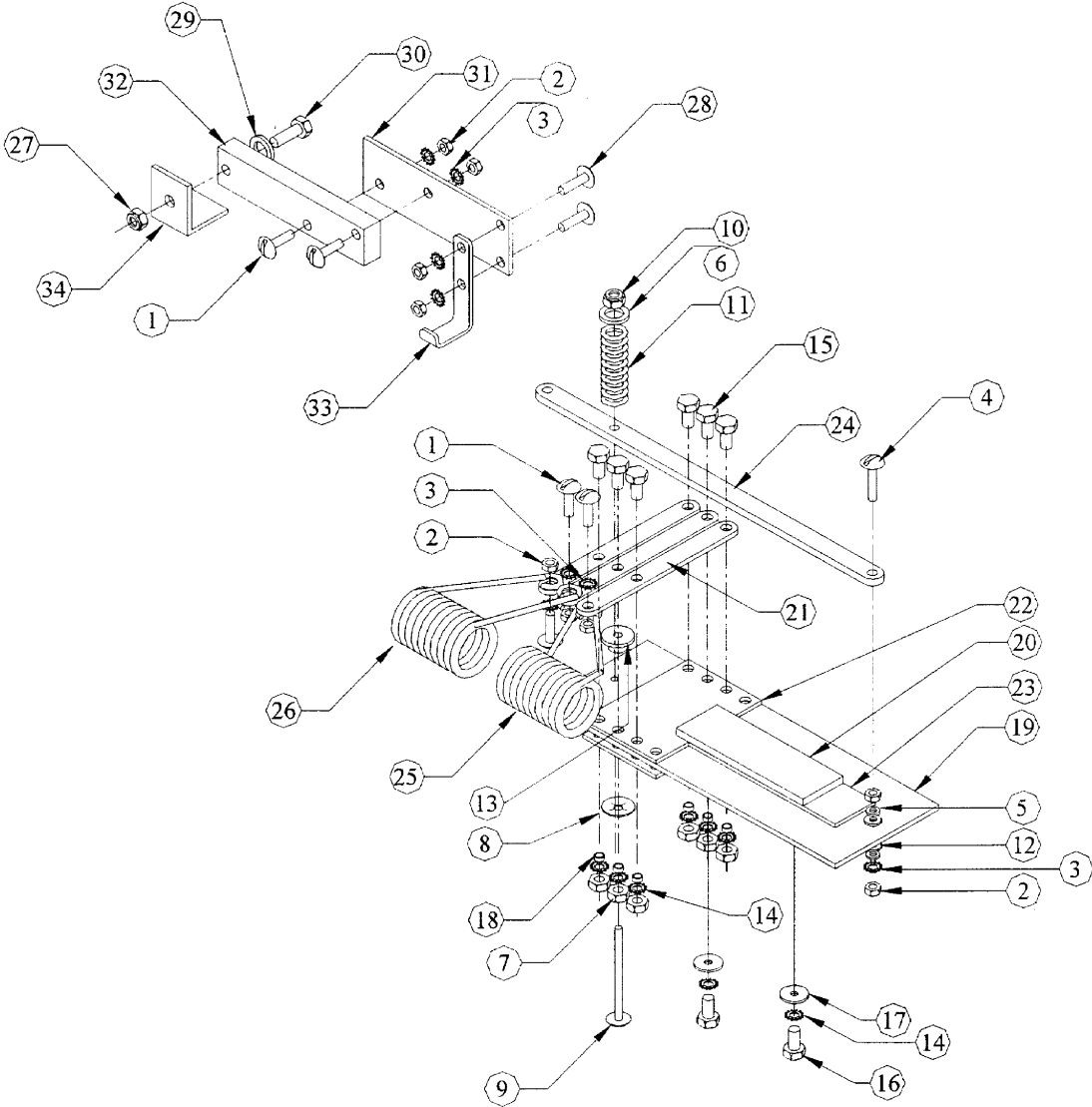
Front Fork Parts List			
Item #	Part Number	Description	Qty. Used
	19203-00	Front Suspension Complete	1
1	56800-00	Fork Assembly, Front	1
2	9080	Bearing, Roller	2
	9081	Bearing, Roller, Race (Not Shown)	2
3	56830-00	Dust Cover (Retainer, Bearing)	2
5	56838-00	Nut, Spindle	1
6	6035	Washer, Steel Flat 1/8x1/2 (Used with Handle Bar Assembly)	1
7	56837-00	Nut, Lock used with Handle Bar Assembly	1
8	40994-00	Tire & Wheel Assy 4.80 x 8 "C" 4	3
	33433-00	Axle Bolt Assembly, Complete	1
9	3431	Axle Bolt 3/4-10 x 7.5	1
10	6037	Washer, 3/4-Flat SAE Standard	2
11	7711	Nut, Jam Nylon Insert 3/4-10 x .5"	1
12	56801-00	Hub, FRT & LFT 4 Hole	1
13	43152-66	Lug Nut	4
14	9086	Bearing, Sealed (Bearing, 10808 Hub Assy)	2
15	56836-00	Spacer, R.H.	1
16	56833-00	Spacer, L.H.	1



## Speed Control Switch

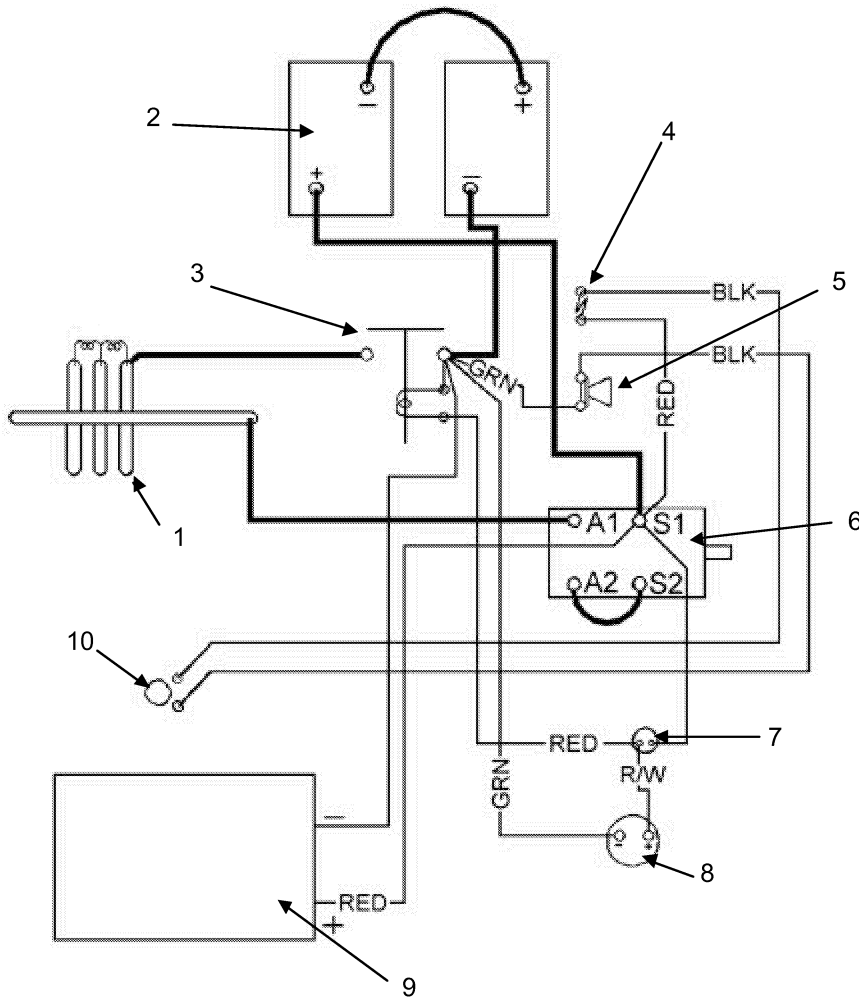
Speed Control Switch Parts List			
Item #	Part Number	Description	Qty. Used
	69826-00	Kit, Speed Switch Panel	1
	69721-00	Switch Assy, Speed Control - 5	1
1	2339	Screw, Machine 10-24 x 3/4	3
2	7620-W	Nut, 10-24 Cad plated	5
3	7118	Washer, #10 shake proof	4
4	1005	Screw, Machine 10-24 x 1-1/4	1
5	6034	Washer, Brass	2
6		Washer, #10 Flat (00466)	2
7	7688-B	Nut, 1/4-20 Cad plated	1
8	11737	Nut, Tinnerman	1
.	01071	Screw, Machine 10-32 x 3	1
10	7626-W	Nut, Lock 10-32	1
11	11831	Spring, 7/16 x 2 1/4, #13	1
12	10510	Bearing, Nylon	2
13	10511	Bearing, Nylon	1
	69724-00	Switch Base Assembly	1
14	7124	Washer, Shakeproof, 1/4 plated	8
15	3787-B	Screw, Cap 1/4-20 x 3/4	6
16	3728	Screw, Cap 1/4-20 x 1/2 HT	2
17	6036	Washer, fiber 3/4 x 1/4 x 1/16	2
18	69727-00	Sleeve, Insulating 1/4 x 3/8	8
19	69736-00	Switch Base	1
20	40321-00	Neutral Bar, M3A Switch	1
21	40324-00	Contact Bar, 4-3/8"	3
22	69733-00	Insulator, White	2
23	69792-00	Insulator, Red	1
24	40327-00	Contact Bar, Slider	1
25	30220-00	Resistance Coil	1
26	30223-00	Resistance Coil	1
	40300-00	Drive Arm Assembly	1
27	7742	Nut, Lock 1/4-20 Nylon insert	1
28	2592	Screw, machine 10-24 x 1/2	2
29	6703-b	Washer, 1/4 Plated flat	1
30	2551-W	Screw, Cap 1/4-20 x 1 HT	1
31	40303-00	Arm, Steel	1
32	40306-00	Drive Arm, lower	1
33	40312-00	L-Brush	1
34	40309-00	Bracket, Drive Arm to Treadle	1

Speed Control Switch (cont.)



## Electrical Schematic, Standard

Electrical, Standard Parts List			
Item #	Part Number	Description	Qty. Used
1	69826-00	Kit, Speed Switch Panel	1
	55008-00	Kit, Battery Standard (w/ 2 66014-84 Batteries)	1
	55009-00	Kit, Battery Heavy Duty (w/ 2 66016-96 Batteries)	1
2	66014-84	Battery, 108 Min, 220amp	2
3	69709-00	Solenoid, 12v	1
4	74591-96	Circuit Breaker, Horn	1
5	69001-76A	Horn, 12V	1
6	69400-00	Motor, 12V	1
7	69706-00	Switch, Ignition, with Keys	1
8	69712-00	12V Battery Discharge Indicator (State of Charge Meter)	1
9	66600-00	Charger, 12V B/I	1
10	71808-00	Switch, Horn Button	1
	66362-96	Bottom plate, battery hold-down	1
	66561-90	Rod, hold-down	1
	6016	Washer	1
	7724-B	1/4-20 Spin Lock nut	1

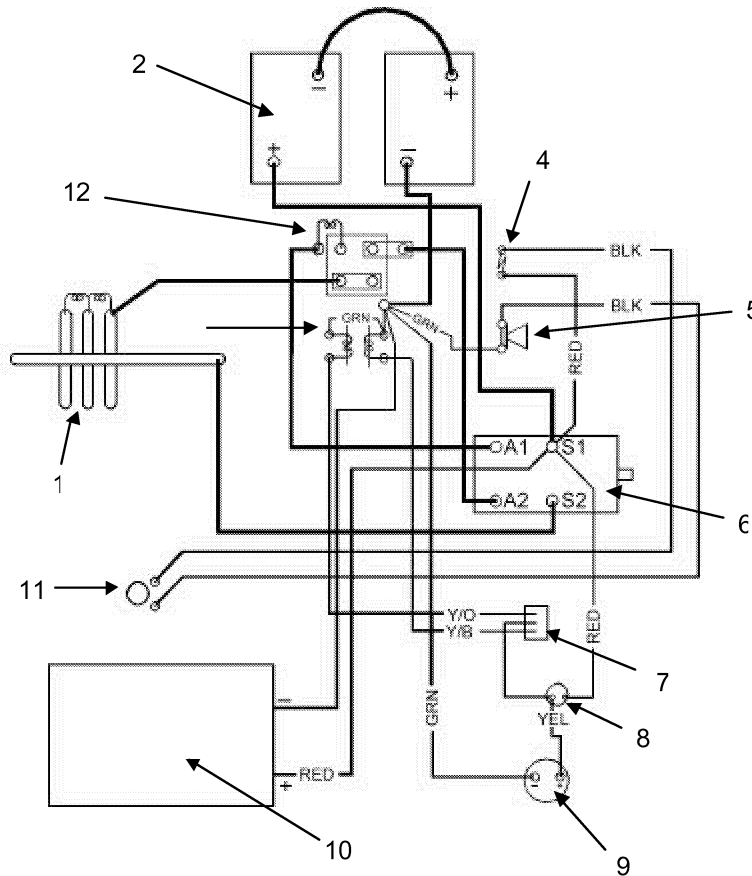


Color Code

BLK - Black  
 GRN - Green  
 RED - Red  
 R/W - Red/White  
 Unspecified Cables  
 Are Black

## Electrical, Forward/Reverse Option

Electrical, Forward/Reverse Option Parts List			
Item #	Part Number	Description	Qty.
1	69826-00	Kit, Speed Switch Panel	1
	55008-00	Kit, Battery Standard (w/ 2 66014-84 Batteries)	1
	55009-00	Kit, Battery Heavy Duty (w/ 2 66016-96 Batteries)	1
2	66014-84	Battery, 108 Min, 220AMP	2
3	69822-00A	Forward / Reverse solenoid	1
4	74591-96	Circuit Breaker, Horn	1
5	69001-76A	Horn, 12V	1
6	69400-00	Motor, 12V	1
7	69822-00	FWD and REV Switch Assy	1
8	69706-00	Switch, Ignition, with Keys	1
9	69712-00	12V Battery Discharge Indicator (State of Charge Meter)	1
10	66600-00	Charger, 12V B/I	1
11	71808-00	Switch, Horn Button	1
	66362-96	Bottom plate, battery hold-down	1
	66561-90	Rod, hold-down	1
	6016	Washer	1
	7724-B	¼-20 Spin Lock nut	1
12	69824	Resistance Coil, Reverse	1
	71408-96	Reverse Buzzer	1



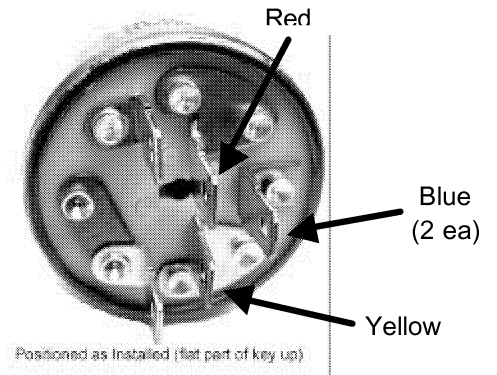
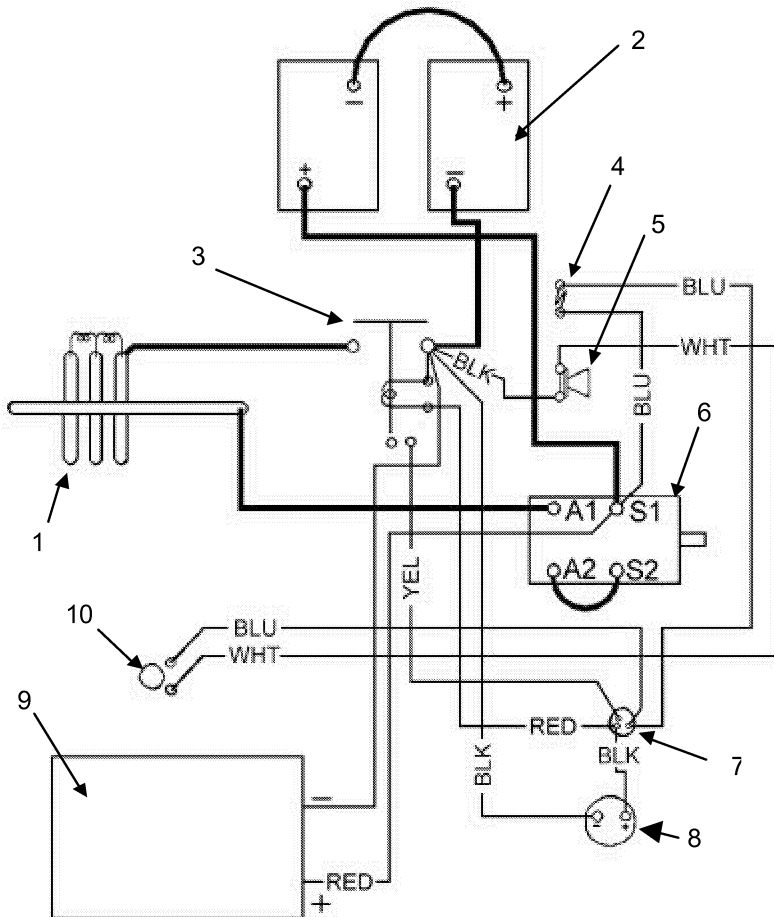
Color Code

BLK – Black  
 YEL - Yellow  
 YO – Yellow/Orange  
 YB – Yellow/Black  
 GRN – Green  
 RED - Red  
 Unspecified Cables Are Black

	E/R Switch, (Item 7) Wiring Connections		
	1YOT	2 Red	3 YBT
Neutral	●	●	●
Forward	●	—	●
Reverse	●	—	●

## Electrical Schematic, New Keyswitch

Electrical, Standard Parts List			
Item #	Part Number	Description	Qty. Used
1	69826-00	Kit, Speed Switch Panel	1
	55008-00	Kit, Battery Standard (w/ 2 66014-84 Batteries)	1
	55009-00	Kit, Battery Heavy Duty (w/ 2 66016-96 Batteries)	1
2	66014-84	Battery, 108 Min, 220amp	2
3	69709-00	Solenoid, 12v	1
4	74591-96	Circuit Breaker, Horn	1
5	69001-76A	Horn, 12V	1
6	69400-00	Motor, 12V	1
7	71730-01	Switch, Ignition, with Keys	1
8	69712-00	12V Battery Discharge Indicator (State of Charge Meter)	1
9	66600-00	Charger, 12V B/I	1
10	71808-00	Switch, Horn Button	1
	66362-96	Bottom plate, battery hold-down	1
	66561-90	Rod, hold-down	1
	6016	Washer	1
	7724-B	¼-20 Spin Lock nut	1

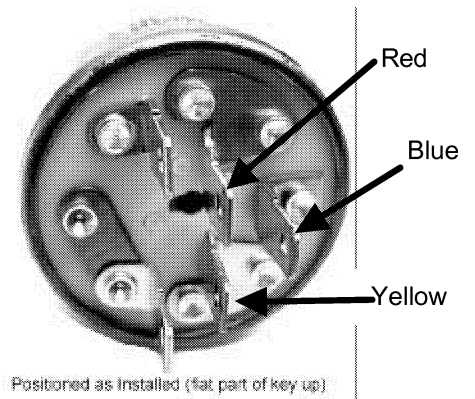
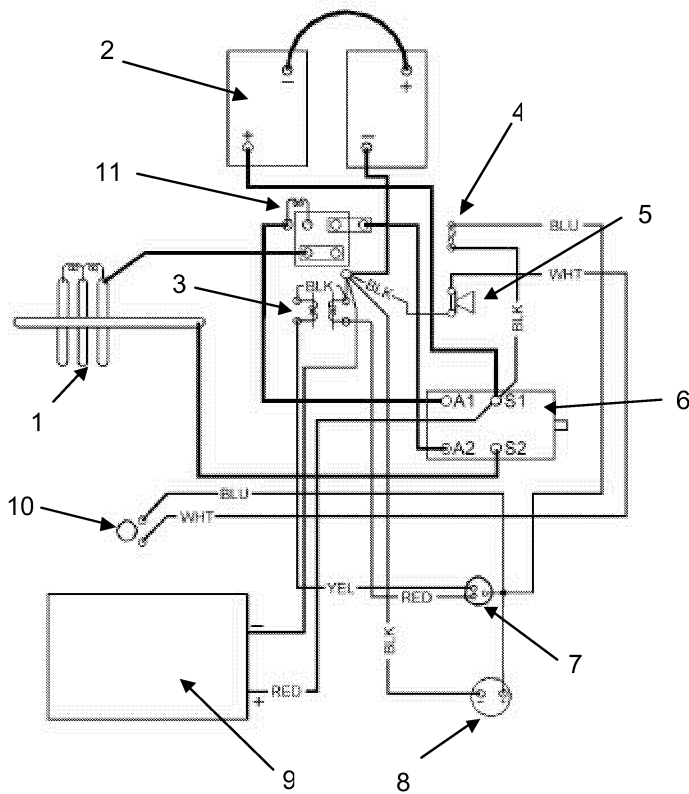


Keyswitch Wire Connections as Shown

<p><u>Color Code</u>                  BLK - Black                  GRN - Green                  RED - Red                  BLU - Blue                  YEL - Yellow                  Unspecified Cables                  Are Black</p> <p>Yellow Wire Not                  Used in this                  Application</p>
--

## Electrical Schematic, New Keyswitch, Forward/Reverse Option

Electrical, Forward/Reverse Option Parts List			
Item #	Part Number	Description	Qty.
1	69826-00	Kit, Speed Switch Panel	1
	55008-00	Kit, Battery Standard (w/ 2 66014-84 Batteries)	1
	55009-00	Kit, Battery Heavy Duty (w/ 2 66016-96 Batteries)	1
2	66014-84	Battery, 108 Min, 220AMP	2
3	69822-00A	Forward / Reverse solenoid	1
4	74591-96	Circuit Breaker, Horn	1
5	69001-76A	Horn, 12V	1
6	69400-00	Motor, 12V	1
7	71730-01	Switch, Ignition, with Keys	1
8	69712-00	12V Battery Discharge Indicator (State of Charge Meter)	1
9	66600-00	Charger, 12V B/I	1
10	71808-00	Switch, Horn Button	1
	66362-96	Bottom plate, battery hold-down	1
	66561-90	Rod, hold-down	1
	6016	Washer	1
	7724-B	1/4-20 Spin Lock nut	1
11	69824	Resistance Coil, Reverse	1
	71408-96	Reverse Buzzer	1



Keyswitch Wire  
Connections as Shown

Color Code
BLK – Black
YEL – Yellow
WHT- White
BLU-Blue
GRN – Green
RED - Red
Unspecified Cables Are Black