



COLUMBIA



Parts Manual

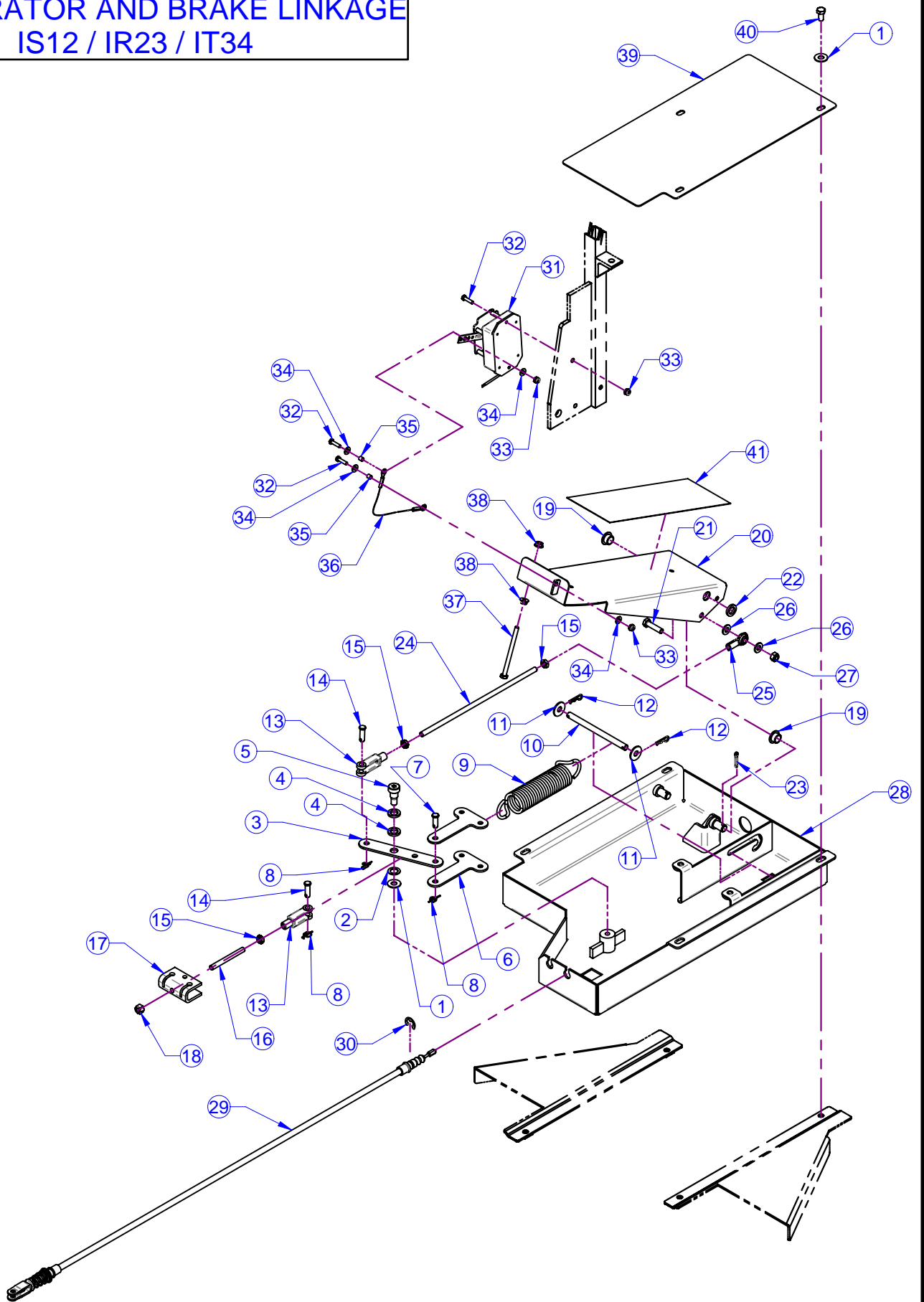
Stockchaser (IS12)
ROVR (IR23)
TUGR (IT34)

Parts Manual

Section 1

Accelerator and Brake Linkage

ACCELERATOR AND BRAKE LINKAGE IS12 / IR23 / IT34



REV 01

ACCELERATOR AND BRAKE LINKAGE

IS12 / IR23 / IT34

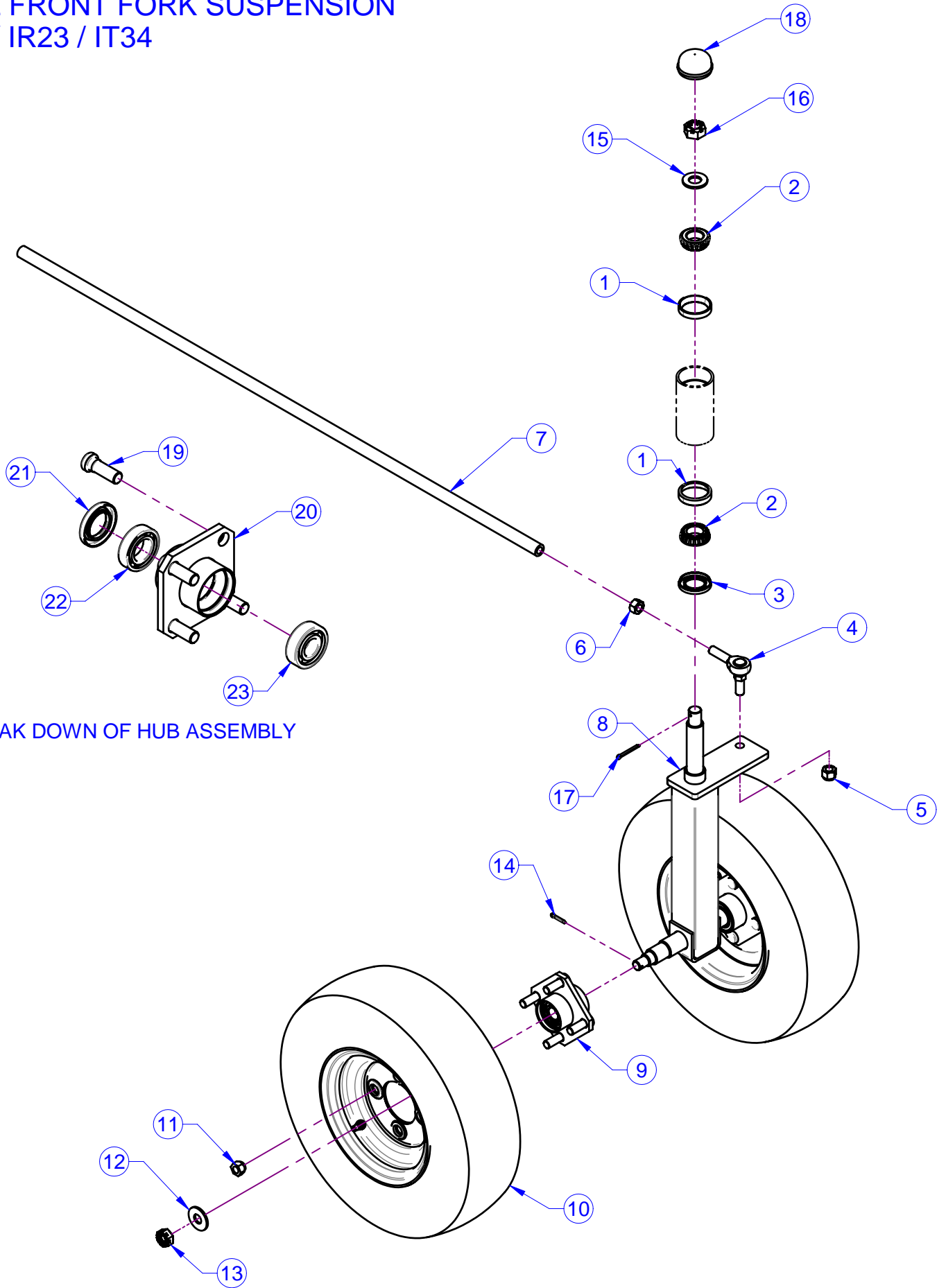
ITEM	CPC PART #	DESCRIPTION	QTY	SI PART #
1	6000-B	WASHER, 5/16", STD FW, BLK HC ZC	6	719771
2	6566	WASHER FLT STL YWZC .515 X .812 X .031	1	719800
3	42566-02	ARM, BRAKE-JAG	1	508786
4	6568-B	WASHER FLT STL YWZC .515 X .812 X .134	2	719802
5	2645	SCREW, 1/2 X 1/2 STNLS SOC SHOULDER	1	719580
6	42567-02	ARM - SPRING	2	508747
7	497	CLEVIS PIN, 5/16 X 7/8 YELLOW/ZINC	1	719713
8	552	COTTER RING ZINC PIVOT POINT #RUE 10	3	719752
9	11809	SPRING, ACCELERATOR ACTUATOR	2	709573
10	42568-02	BAR, GUIDE - SPRINGS	1	508893
11	6416	WASHER FLT STL BLK ZNC 3/8 STD	2	719796
12	500	HAIR PIN CLIP, #13 ZINC/CLEAR	2	719716
13	73059-96	CLEVIS #52 5/16-24 ADJ YOKE END CLR	2	719852
14	494	CLEVIS PIN, Ø5/16 X 1 ZINC/CLEAR	2	719709
15	7744	NUT, 5/16-24 GR 2 HEX JAM YWZC	3	719895
16	24820-96	STUD, 5/16-24 X 3 FULL THDED	1	719558
17	42402-89	BRAKE EQUALIZER (PLATED)	1	509154
18	7725	NUT, 5/16-24, NYLOCK, GA, YWZC	1	719888
19	10516	BEARING, FLANGED, .50" ID X .625" BORE	2	719147
20	42577-02	WELDMT, PEDAL - BRAKE/ACCL	1	306944
21	2871-W	SCR, 5/16-18 X 1-1/4 GRD 5 HHC	1	719592
22	6568-B	WASHER FLT STL YWZC .515X.812X.134	1	719802
23	520-W	PIN, COTTER 1/8 X 1 YELLOW/ZINC	1	719728
24	X01-389	ROD, 5/16-24 UNF X 11" FULLY THDED	1	709931
25	57019-00	ROD END - 5/16 (KPF-5-G)	1	709450
26	6702-B	WASHER FLT STL 5/16 BLK MAXCOAT	2	719810
27	7739	NUT, 5/16-18, NE, NYLON INSERT, GA, YWZC	1	719892
28	42570-02	WELDMT, MOUNTING BASE - BRAKE/ACCLERATO	1	306941
29	42401-89B	CABLE ASS'Y, BRAKE 39.00"	1	709081
30	11040	E-RING, .562 REINFORCED PHOS	2	719515
31	70061-00B	SPEED SWITCH ASSEMBLY	1	709369
32	2339	SCR, #10-24 X 3/4" HEX HD MACH	4	719551
33	7624	NUT, #10-24 GR A NM MACH NYLON LOCK	4	719870
34	6716	WASHER, #10, SAE FW, HC BLACK	4	719812
35	5760	SPACER BRASS, .192 ID X .25 OD X .25THK	2	719769
36	40826-02	LANYARD, 7-3/4" LONG	1	709929
37	3861-B	SCREW, 1/4-20 X 3.50 HHCS	1	719638
38	7724-B	NUT 1/4-20 GR A SERRATED FLNG LOCK	2	719887
39	42571-02	COVER - JAG	1	508801
40	2882-W	SCREW, 5/16-18 X 5/8 GRD 5 HHC	5	719595
41	42579-02	MAT, PEDAL, BRAKE/ACCEL	1	467285

Parts Manual

Section 2

Steering and Front Suspension

DUAL FRONT FORK SUSPENSION IS12 / IR23 / IT34

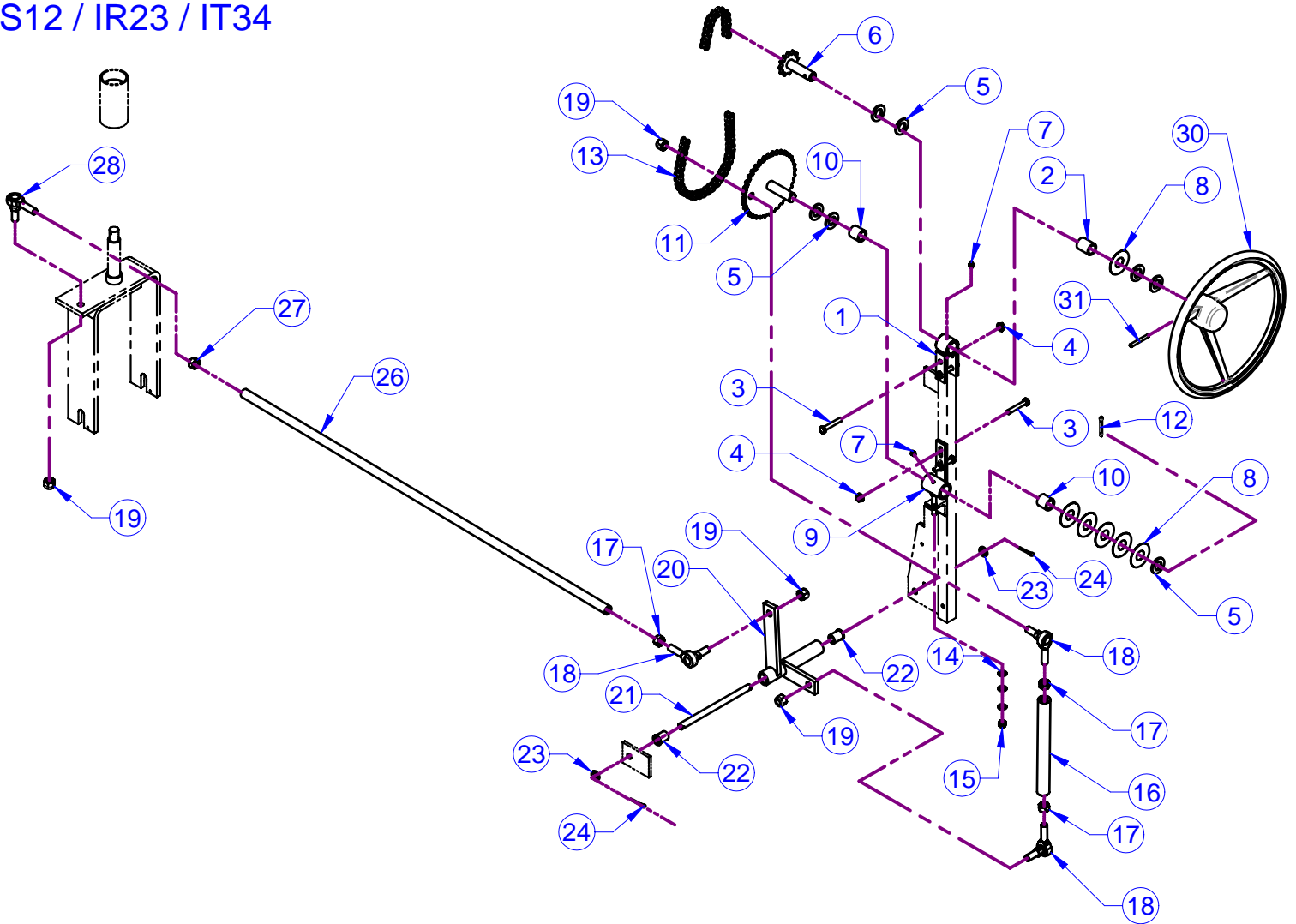


BREAK DOWN OF HUB ASSEMBLY

DUAL FRONT FORK SUSPENSION IS12 / IR23 / IT34

ITEM	CPC PART #	DESCRIPTION	QTY	SI PART #
1	44005-95	RACE BEARING, L44610	2	719686
2	44003-95	ROLLER BEARING, L44643	2	719864
3	44004-95	SEAL BEARING, 125192TB	1	719685
4	58604-04	ASSY, TIE ROD END - 1/2-20 LH THD	1	719343
5	7812-W	NUT, 1/2-20 GR A NE NYLON INSERT YWZ	1	719907
6	5832	NUT, 1/2-20 GR 2 HEX JAM YWZC - LH THD	1	719360
7	57366-04	SHAFT, STEERING - LONG, IS11/ROVR	1	510495
8	57220-05	WELDMT, DUAL FORK - FRONT, IS/IR/IT	1	307901
9	43481-89	ASSY, HUB FRONT WHEEL	2	461830
10	40988-95	RIM & TIRE, 4.80 X 8.00 LRB	2	709107
*	42109-94	RIM 8.00 X 3.75 4HOLE	1	739032
*	42110-95	TIRE 4.00 X 8.00 LRC	1	739033
11	43152-66	NUT, 1/2-20, TAPERED WHEEL	8	709002
12	6655-B	WASHER FLT STL 9/16 STD UNHARD BLK	2	719808
13	7947-B	NUT, 5/8-18 GR 2 SLOTTED HEX BLK MAX	2	719915
14	520-W	PIN, COTTER 1/8 X 1 YELLOW/ZINC	2	719728
15	5908-B	WASHER, 3/4", STL FLAT, SAE MIL-CARB	1	719770
16	82713-96	NUT, 3/4-16 SLOTTED HEX BLK, G5, YWZC	1	719933
17	561	PIN, 1/8" X 1-1/2", COTTER, ZNC	1	707841
18	43646-79	HUB GREASE CAP	1	709018
19	41199	WHEEL BOLT, 1/2-20 X 1-1/2 G5 YELLOW	4	719655
20	43463-89	HUB FRONT WHEEL WLDMNT	1	303069
21	12030	SEAL, OIL	1	709017
22	9031	BEARING 6005	1	719954
23	9030	BEARING 6204	1	719953

STEERING WHEEL SYSTEM
IS12 / IR23 / IT34



STEERING WHEEL LINKAGE

IS12 / IR23 / IT 34

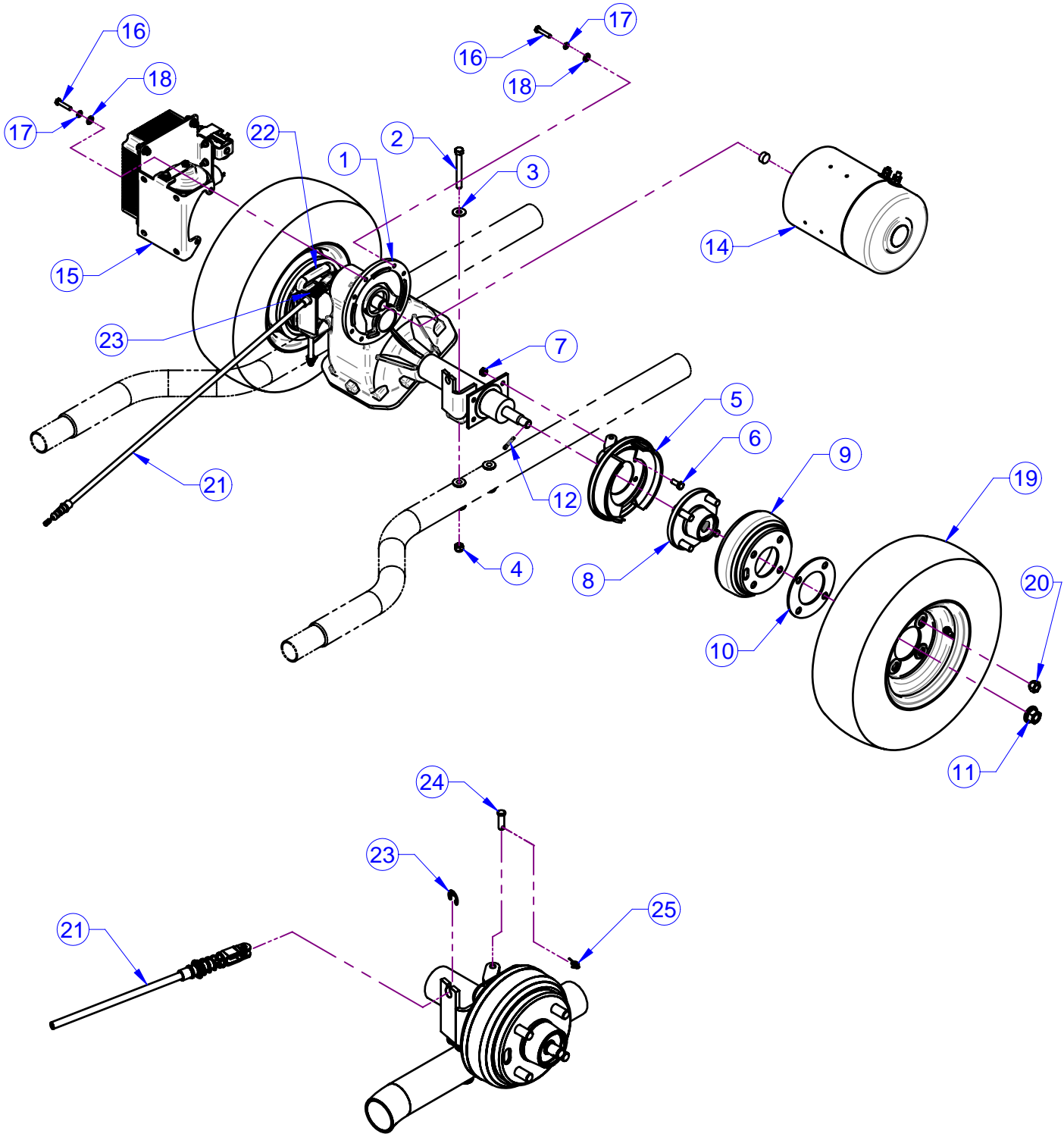
ITEM	CPC PART #	DESCRIPTION	QTY	SI PART #
1	57326-95	UPR HUB WLDMNT	1	303971
2	57351-95	BUSHING NYLON NN1216-20	1	719765
3	2667	SCREW, 5/16-18 X 2" GRD 5 HHC YEL 150	4	719585
4	7525	LOCKNUT, 5/16-18 HEX FLG WHIZ	4	719864
5	57363-95	WASHER FLAT NYLON .76 ID 1.42 OD	7	719767
6	57324-95	STEERG WHEEL SPROCKET WLDMNT	1	303969
7	9800	GREASE FITTING, 1/4"-28, SELF-TAPPING	2	709110
8		WASHER - 2 1/8" OD X 27/32" ID X .03 THK	6	Obsolete
9	57327-95	LWR HUB WLDMNT	1	303972
10	57352-96	BUSHING NYLON NN1216-16	2	719766
11	57325-96	WELDMNT, SPROCKET - LOWER	1	304450
12	561	PIN, COTTER 1/8 X 1.50 YELLOW/ZINC	1	707841
13	57240-95	CHAIN, STEERING WHL - IS11/ROVR	1	463496
14	6702-B	WASHER FLT STL 5/16 BLK MAXCOAT	3	719810
15	7725	NUT, 5/16-24, NYLOCK, GA, YWZC	1	719888
16	57357-95	SHORT STEERING SHAFT	1	510277
17	7644	NUT, 1/2-20 GR 2 HEX JAM YWZC	3	719873
18	57063-96	ASSY, TIE ROD END - 1/2-20 RH THD	3	709761
19	7812-W	NUT, 1/2-20 GR A NE NYLON INSERT YWZ	4	719907
20	57229-02	WELDMNT, BELL CRANK	1	306945
21	57242-95	SHORT SHAFT	1	510300
22	57364-95	BUSHING, FLANGED NYLON - NF0812-16	2	719768
23	6568-B	WASHER FLT STL YWZC .515 X .812 X .134	2	719802
24	520W	PIN, COTTER 1/8 X 1 YELLOW ZINC	2	719728
26	57366-04	SHAFT, STEERING - LONG, IS11/ROVR	1	510495
27	5832	NUT, 1/2-20 GR 2 HEX JAM YWZC - LH THD	1	719360
28	58604-04	ASSY, TIE ROD END - 1/2-20 LH THD	1	719343
30	57099-95	STEERING WHEEL	1	709113
31	388	ROLL PIN, 1/4 X 2"	1	719639

Parts Manual

Section 3

Rear Suspension

REAR AXLE / WHEEL / BRAKES
IS12 / IR23 / IT34



REV 01

REAR AXLE / WHEEL / BRAKES

IS12 / IR23 / IT34

ITEM	CPC PART #	DESCRIPTION	QTY	SI PART #
1	82662-06	WELDMENT, AXLE, 12.44 - IS12	1	467328
*	82663-06	WELDMENT, AXLE, 14.76 - IS12/IR23/IT34	1	467078
*	82664-06	WELDMENT, AXLE, 16.99 - IS12/IR23/IT34	1	467079
2	4434-W	SCREW, HX HD CAP 3/8-24 X 3 ¼ G5	4	719687
3	6416	WASHER, FLAT STL BLK ZINC 3/8 STD	4	719796
4	7775	NUT, 3/8-24 GR A NE NYLON INSERT LOCK	4	719900
5	41814-86B	BRAKE ASSY, RH AUTO ADJ (USED ON LH)	1	709170
6	3987-BS	SCREW, 5/16-18 X 3/4 HHCS, GRADE 5 (SERVICE METRIC)	8	719642
7	7740-B	NUT, 5/16-18, 3-WAY CENTER LOCK (SERVICE METRIC)	8	719893
8	41844-96 KIT	HUB W/ STUDS	2	719220 HUB_STUD
9		DRUM, BRAKE	2	719220 BRAKE DRUM
10	43740-04	SPACER, WHEEL - 4 HOLE	2	509958
11	7538	NUT, 5/8-18, LOCKING FLANGE	2	719044
12	520-W	PIN, COTTER 1/8 X 1 YELLOW/ZINC	2	719728
13	11423	RESILIENT BUMPER-ELEC MOTOR	1	709050
14	69300-03	MOTOR, ELECT., 48V, SEPARATELY EXCITED	1	719135
15	43652-06	PANEL - CONTROLLER MTG	1	510517
16	3993	SCREW, HEX HEAD CAP 1/4-20 X 1-1/4 G5	3	719644
17	7036-B	WASHER, LOCK 1/4 REGULAR BLK ZINC	3	719834
18	6703-B	WASHER, FLAT STL 1/4 SAE UNHARD BLK	3	719811
19	40988-95	RIM & TIRE, 4.80 X 8.00 LRB	2	709107
*	42110-95	TIRE, 4.80 X 8.00 LRB	A/R	739033
*	42109-94	WHEEL, 3.75 X 8 - 4 HOLE	A/R	739032
*	42115-04	RIM & TIRE, 4.80 X 8.00 LRB (FOAM FILLED)	A/R	719349
20	43152-66	NUT, 1/2-20, TAPERED WHEEL	8	709002
21	42401-89B	CABLE ASS'Y, BRAKE 39.00"	2	709081
22	41813-86B	BRAKE ASSY, LH AUTO ADJ (USED ON RH)	1	709171
23	11040	E-RING, .562 REINFORCED PHOS	2	719515
24	494	CLEVIS PIN, Ø5/16 X 1 ZINC/CLEAR	2	719709
25	552	COTTER RING ZINC PIVOT POINT #RUE10	2	719752

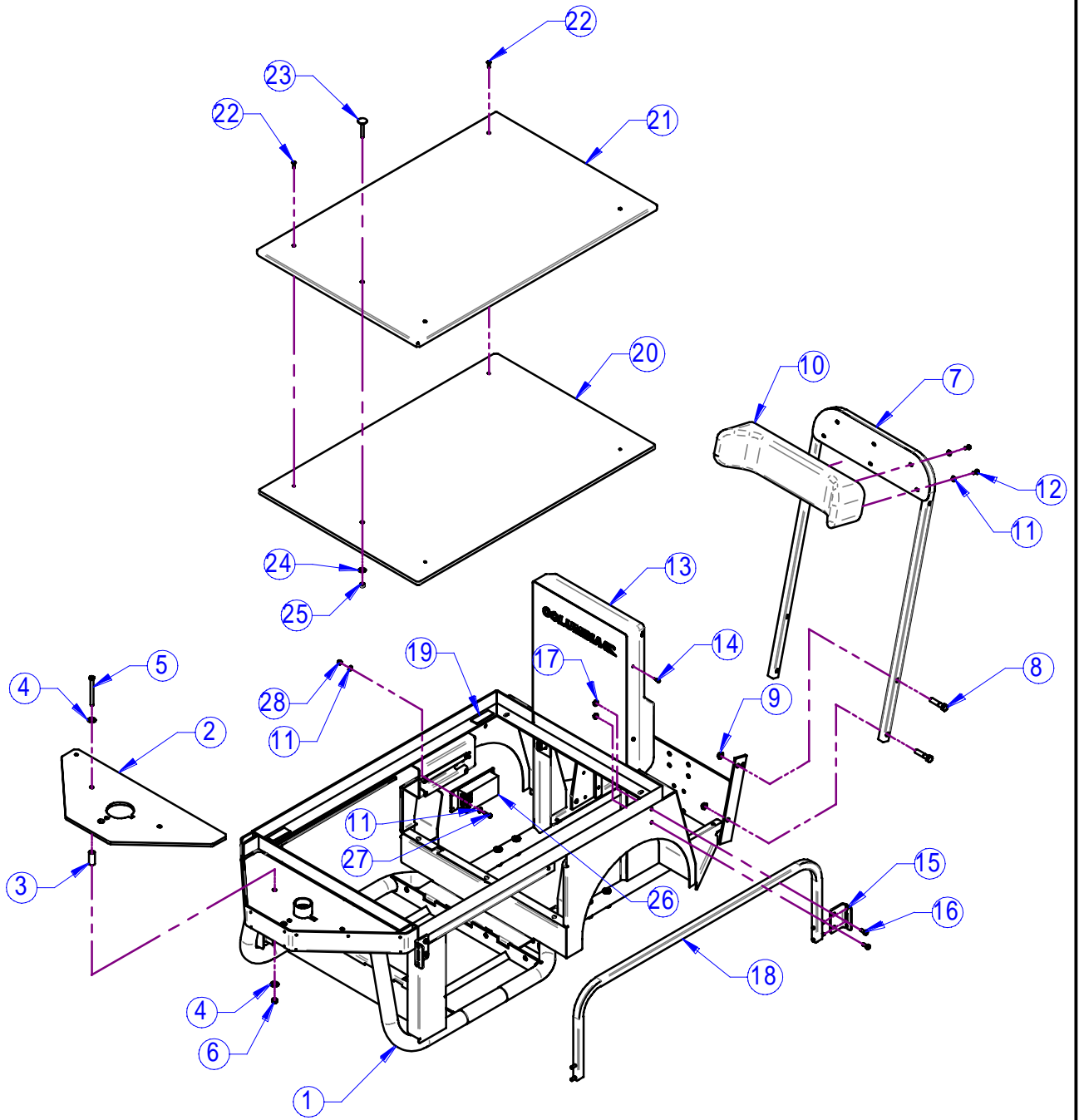
* ILLUSTRATION NOT SHOWN

Parts Manual

Section 4

Body, Seating and Console Instrumentation

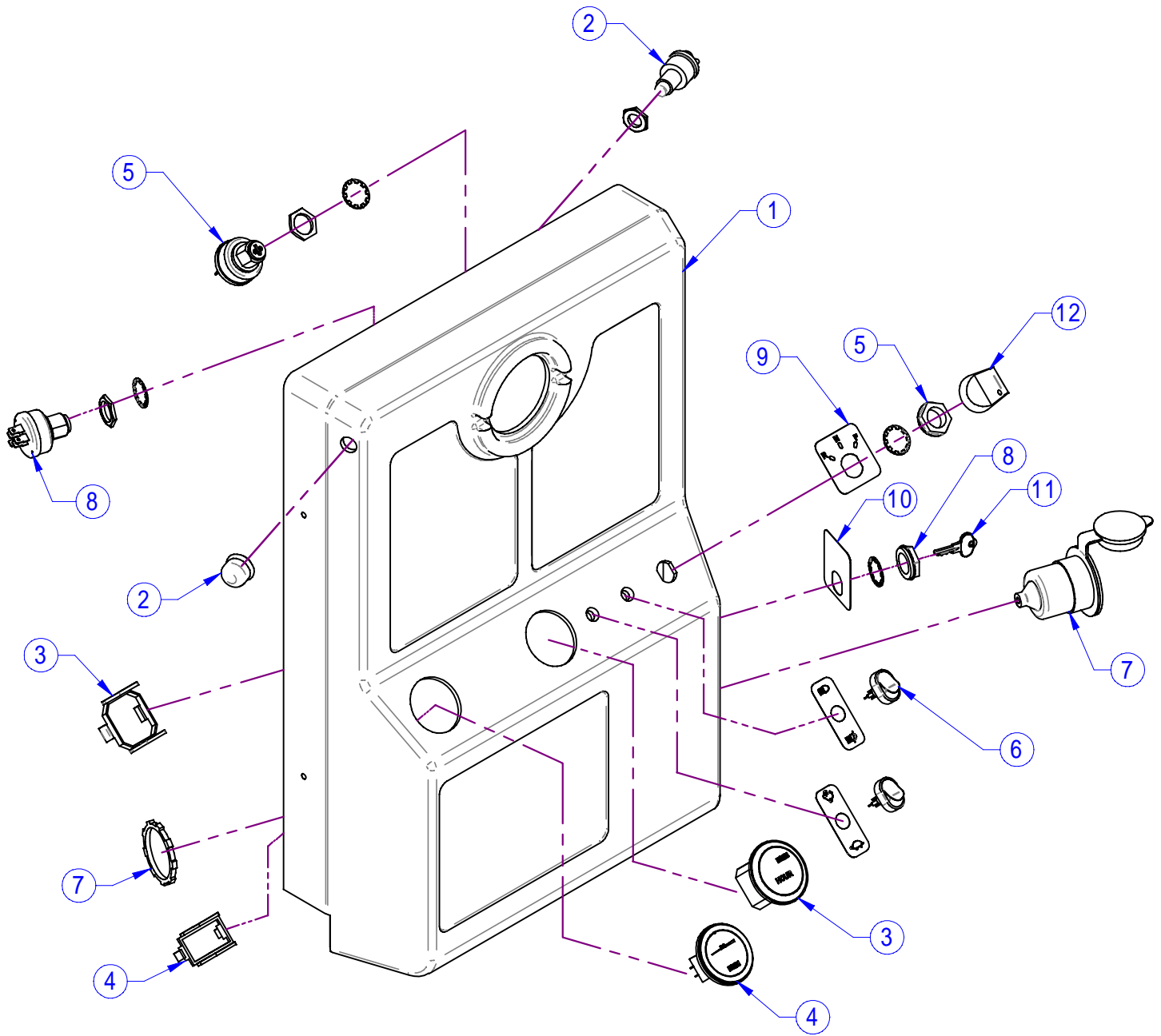
BODY/SEAT/CONSOLE - IS12 / IR23 / IT34



ITEM	CPC PART #	DESCRIPTION	QTY	SI PART #
1		WELDM'T, CHASSIS - IS12/IR23/IT34	1	307750
2		CTWT W/ 3 1/2" HOLE - JAG	1	508803
3		SPACER, 3/4" OD X .438" ID X 1 3/4" LG - RD	3	510791
4	6416	WASHER FLT STL BLK ZNC 3/8 STD	6	719796
5	4721	SCREW, 3/8-16 X 4 HHCS GR5	3	719697
6	7778	NUT, 3/8-16, GA, NE, NYLON INSERT, YWZC	3	719902
7	44000-02	WELDM'T, SEATBACK	1	306943
8	3407	SCREW 1/2-13 X 2-1/4 HEX CAP	4	719611
9	7685	NUT, 1/2-13 A NTE SYLON LOCK	4	719878
10	44001-02	CUSHION - SEAT BACK, JAG	1	306942
11	6703-B	WASHER, 1/4, SA, FW, STL, HC BLACK	19	719811
12	3767-B	SCREW, HEX HEAD CAP 1/4-20 X 5/8 G5	7	719630
13	47886-96A	CONSOLE, STOCKCHASER	1	709519
14	2653-B	SCREW, #10 X 3/4 HWH TEK #3	4	719583
15		PLATE, MTG - RAIL	4	509344
16	3987-BS	SCREW, 5/16-18 X 3/4 HHCS, GRADE 5	8	719642
17	7525	LOCKNUT, 5/16-18 HEX FLG WHIZ	8	719864
18		WELDM'T, FOLDING RAIL - IS 11/ROVR	2	307900
19	49713-ZZ	FOAM TAPE, 1/8" T X 1" W X 3" L, BLK PVC	5	719543
20		DECK PLYWD W/ T-NUTS - IS 11/ROVR	1	510494
21		DECK PLATE - IS 11/ROVR	1	510493
22	2003-B	SCREW, 1/4-20 X 3/4, POH, M/S, BLK ZC	4	719543
23	1600	SCREW, 5/16-18 X 2 1/2< ELV BOLT, UNPLT	1	709418
24	6000-B	WASHER, 5/16 STD	1	719771
25	7739	NUT, 5/16-18, NE, NYLON INSERT, GA, YWZC	1	719892
26		DC/DC CONVERTER - 12V OUT/INP 36/48V	1	719488
27	2551-W	SCREW, 1/4-20 X 1 GRD 5 HHC YEL 150	4	719564
28	7686	NUT 1/4-20 GR A NE NYLON INSERT LCK	4	719879

* ILLUSTRATION NOT SHOWN

INSTRUMENT CONSOLE - IS12 / IR23 / IT34



INSTRUMENT CONSOLE - IS12 / IR23 / IT34

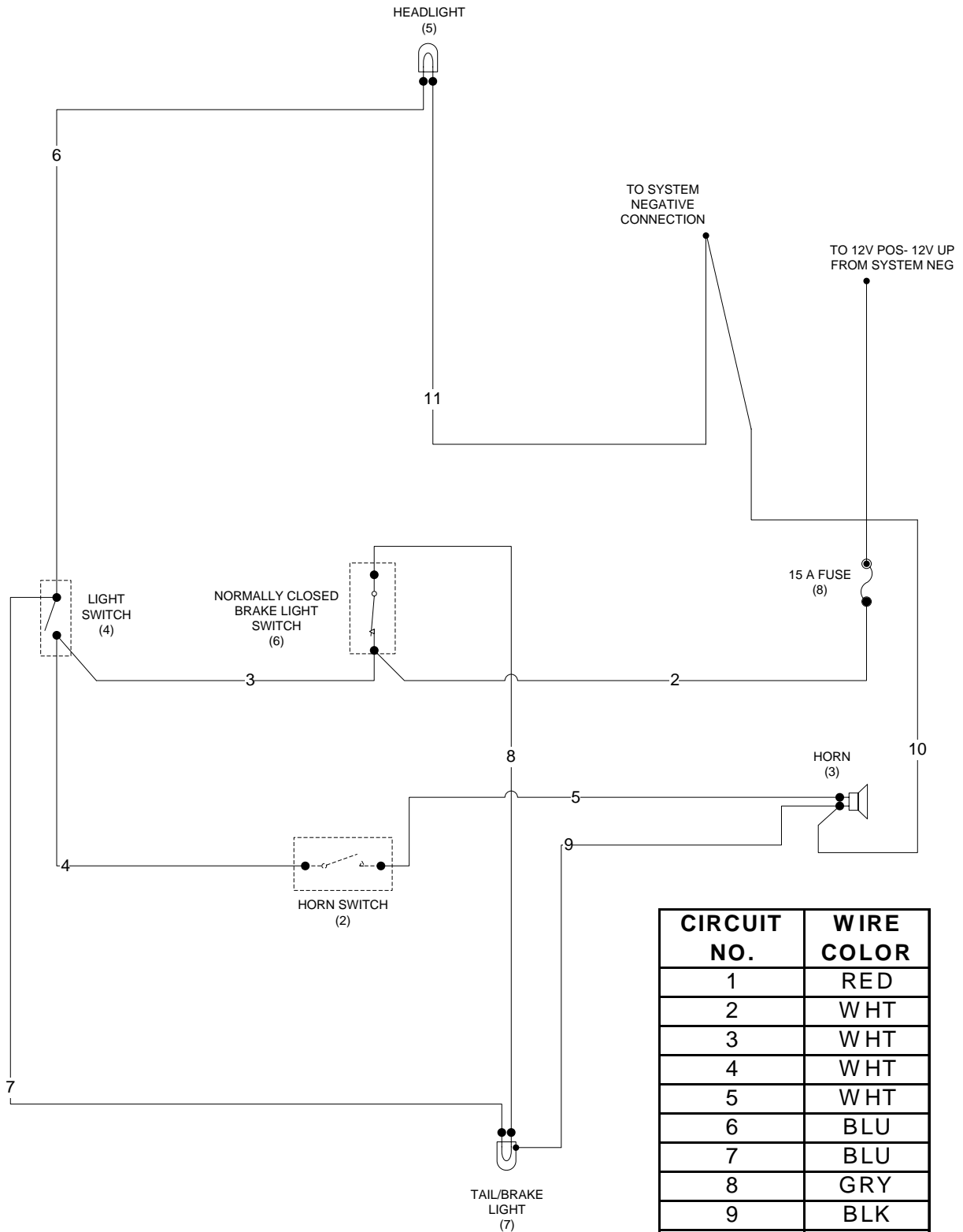
ITEM	CPC PART #	DESCRIPTION	QTY	SI PART #
1	47886-96A	CONSOLE, STOCKCHASER	1	709519
2	71807-80	HORN SWITCH	1	709385
3	75033-91	HOUR METER 10-80 VOLT DC	1	709452
4	75051-01	BDI GAUGE - 24V ENM	1	709762
*	75053-01	BDI METER, 48V DIGITAL	1	709183
5	71730-01	KEYSWITCH, UNIVERSAL W/ HARDWARE	1	709040
6	71511-87A	SWITCH, ROCKER, ILLUMINATED SPST	2	709412
7	66034-02	PLUG, POWER INLET 120V SEALED	1	709558
8	71732-06	KEYSWITCH, POWER, 2 POSITION	1	759706
9	53252-05	DECAL, CONSOLE - IS12/R23/IT34	1	712000
10	53253-05	LABEL, POWER, ON/OFF	1	719435
11	71731-01	KEYSET, 2 KEYS WITH KEYPING (SVC)	1	749184
12	71767-05	ASSY, KEY, NON-REMOVABLE, W/COVER	1	719432
*	53270-95	LABEL, SET - IS 11	1	709845
* ILLUSTRATION NOT SHOWN				

Parts Manual

Section 5

Electrical Systems

12 V ACCESSORY SCHEMATIC DIAGRAM IS12 / IR23 / IT34



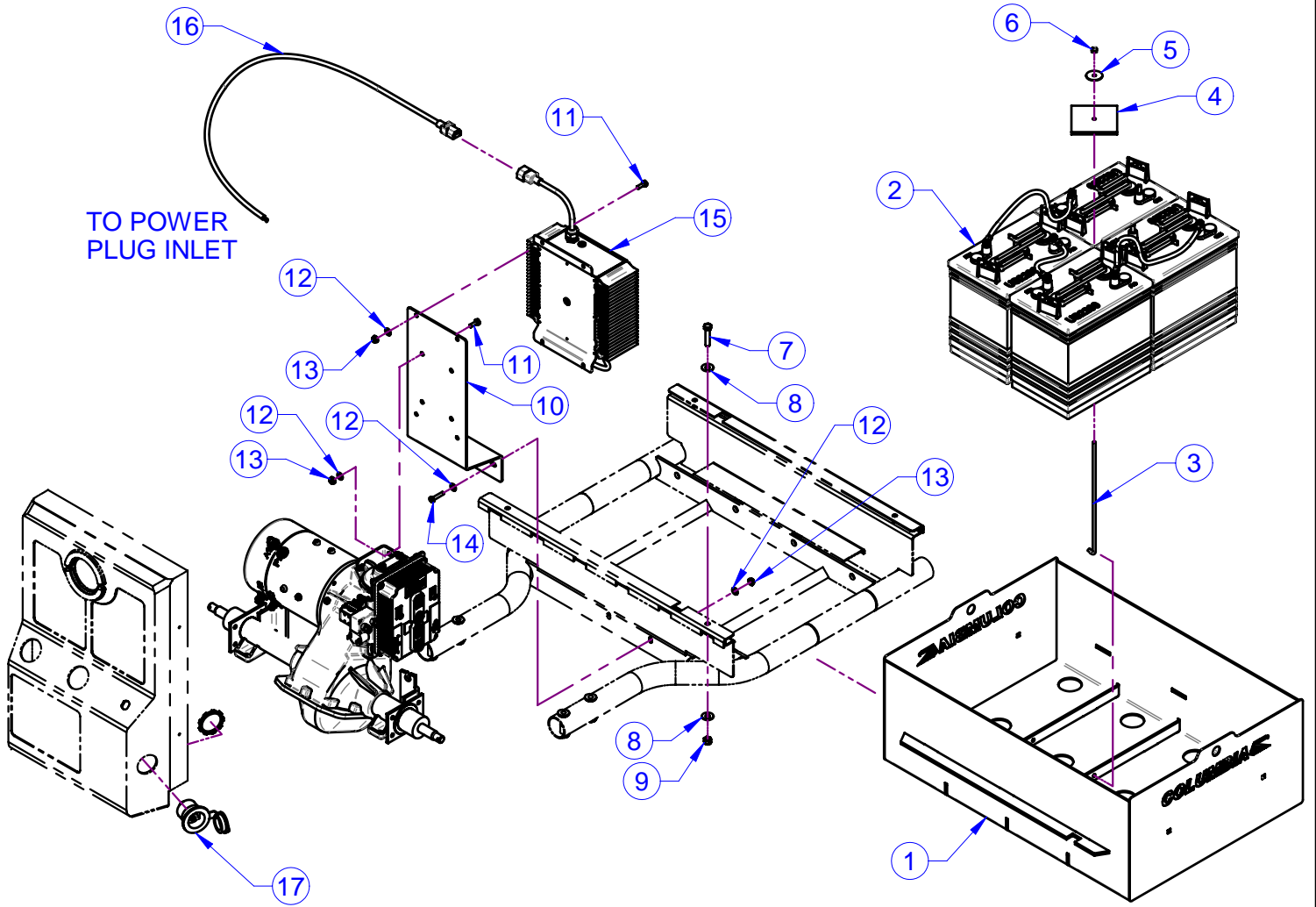
CIRCUIT NO.	WIRE COLOR
1	RED
2	WHT
3	WHT
4	WHT
5	WHT
6	BLU
7	BLU
8	GRY
9	BLK
10	BLK
11	BLK

12 V ACCESSORY SCHEMATIC DIAGRAM
IS12 / IR23 / IT34

ITEM	CPC PART #	DESCRIPTION	QTY	SI PART #
1	68874-02	WIRE HARNESS, 12V, ACCESSORY-ROVR	1	709941
2	71807-80	SWITCH, HORN	1	709385
3	69001-76A	HORN,12V (2 TERMINAL)	1	709089
4	71511-87A	SWITCH, ROCKER, ILLUMINATED SPST	1	709412
5	67721-94	HEADLIGHT	1	709389
6	71512-00	SWITCH, BRAKE	1	464245
7	68020-92	4"RND TAIL LAMP ASSY W/PLUG, SEAL	1	709109
8	74595-01	FUSE, 15 AMP ATO/ATC	1	709255
*	9910	ADAPT 1/4 TAB 2-MALE/1-FEM MOLEX	2	719920

* ILLUSTRATION NOT SHOWN

BATTERIES AND CHARGER SYSTEM
IS12 / IR23 - 24V OR 48 V
IT34 - 48 V ONLY

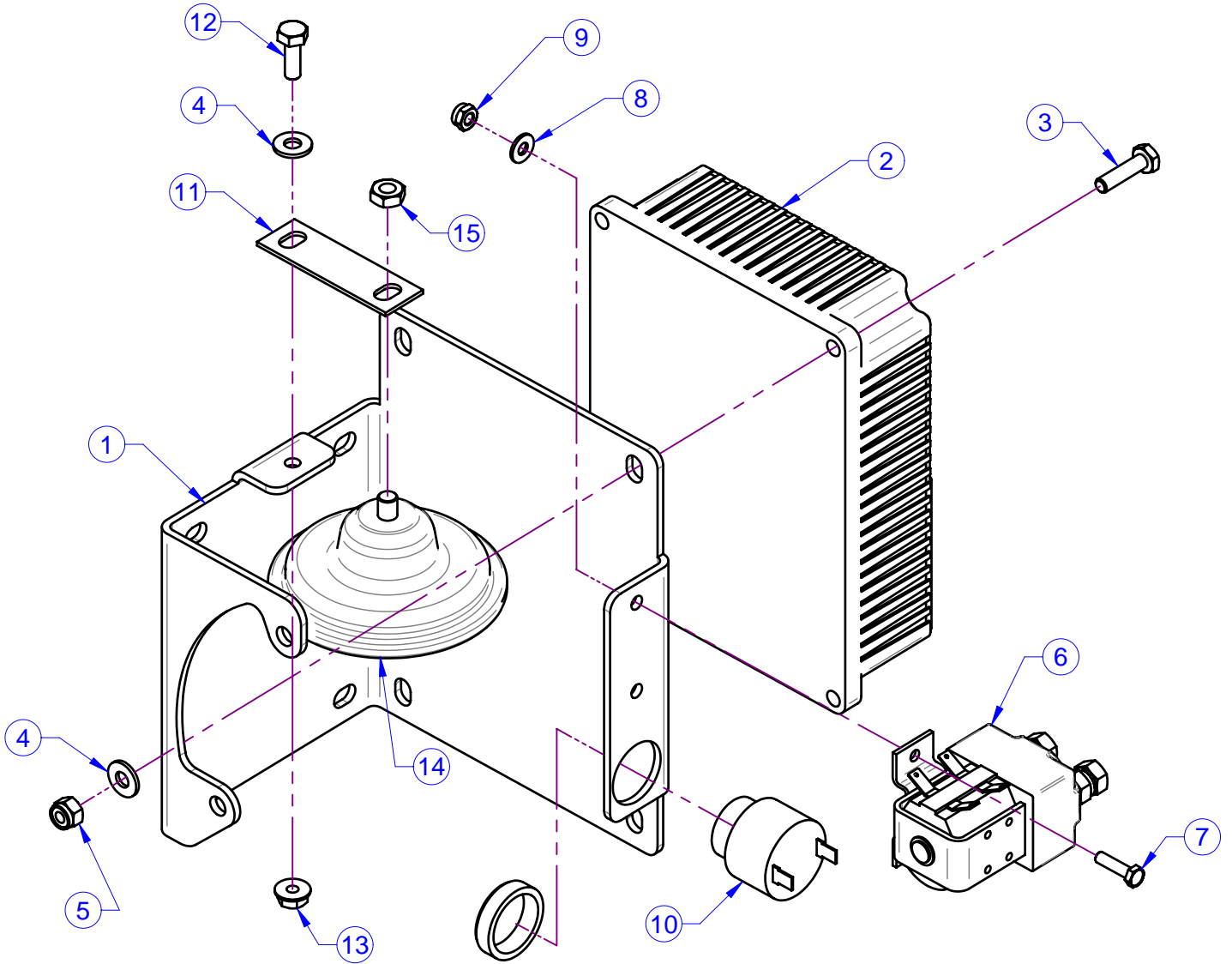


BATTERIES AND CHARGE SYSTEM
IS12 / IR23 - 24V OR 48V
IT34 - 48V ONLY

ITEM	CPC PART #	DESCRIPTION	QTY		SI PART #
			24V	48V	
1		BTRY BOX, PUSH/PULL - IS12/IR23/IT34	1	1	307876
2	66014-03	BATTERY, 6V, DEEP CYCLE, (US-2000)	4	8	719229
*	66005-03	BATTERY, 6V, DEEP CYCLE, (US-145) OPTIONAL	4	8	719231
3	66561-90A	ROD, BATTERY HOLD DOWN	1	2	709059
4	66362-96	PLATE, BATTERY HOLD DOWN	1	2	709365
5	6256	WASHER FLT STAINLESS .28 X 1.375 X .06	1	2	719786
6	7680	NUT 1/4-20 NE 316 STAINLESS NYLON	1	2	719876
7	4720-B	SCREW, HX HD CAP 3/8-16 X 1-3/4 G5	4	4	719696
8	6416	WASHER FLT STL BLK ZNC 3/8 STD	8	8	719796
9	7778	NUT, 3/8-16 GR A NE NYLON INSERT	4	4	719902
10		BRKT, CHARGER, BTRY - DELTA Q	1	1	510541
11	3787-B	SCREW, HEX HEAD CAP 1/4-20 X 3/4 G5	8	8	719636
12	6703-B	WASHER FLT STL 1/4 SAE UNHARD BLK	12	12	719811
13	7724-B	NUT 1/4-20 GR A SERRATED FLNG LOCK	10	10	719887
14	3993	SCREW, HEX HEAD CAP 1/4-20 X 1-1/4 G5	2	2	719644
15	66583-03	CHARGER, DELTA Q - 48 V SEALED	N/A	1	719249
*	43500-03	CHARGER, DELTA Q - 24 V SEALED	1	N/A	719247
16	70447-90	CHARGER CORD, 6" (L), 14/3 WIRE - BLACK	1	1	719264
17	66034-02	PLUG, POWER INLET 120V SEALED	1	1	709558
*	70105-88	CABLE ASSY, 4 GA X 37 INCH	1	5	709019
*	70099-88	CABLE ASSY, 4 GA X 8.75 INCH	1	1	709004
*	70351-88	CABLE ASSY, 4 GA X 16.75 INCH	2	2	709600
*	50009-04	BOOT, INSULATOR CABLE TERMINAL	4	8	719464

* ILLUSTRATION NOT SHOWN

CONTROL PANEL COMPONENTS IS12 / IR23 / IT34



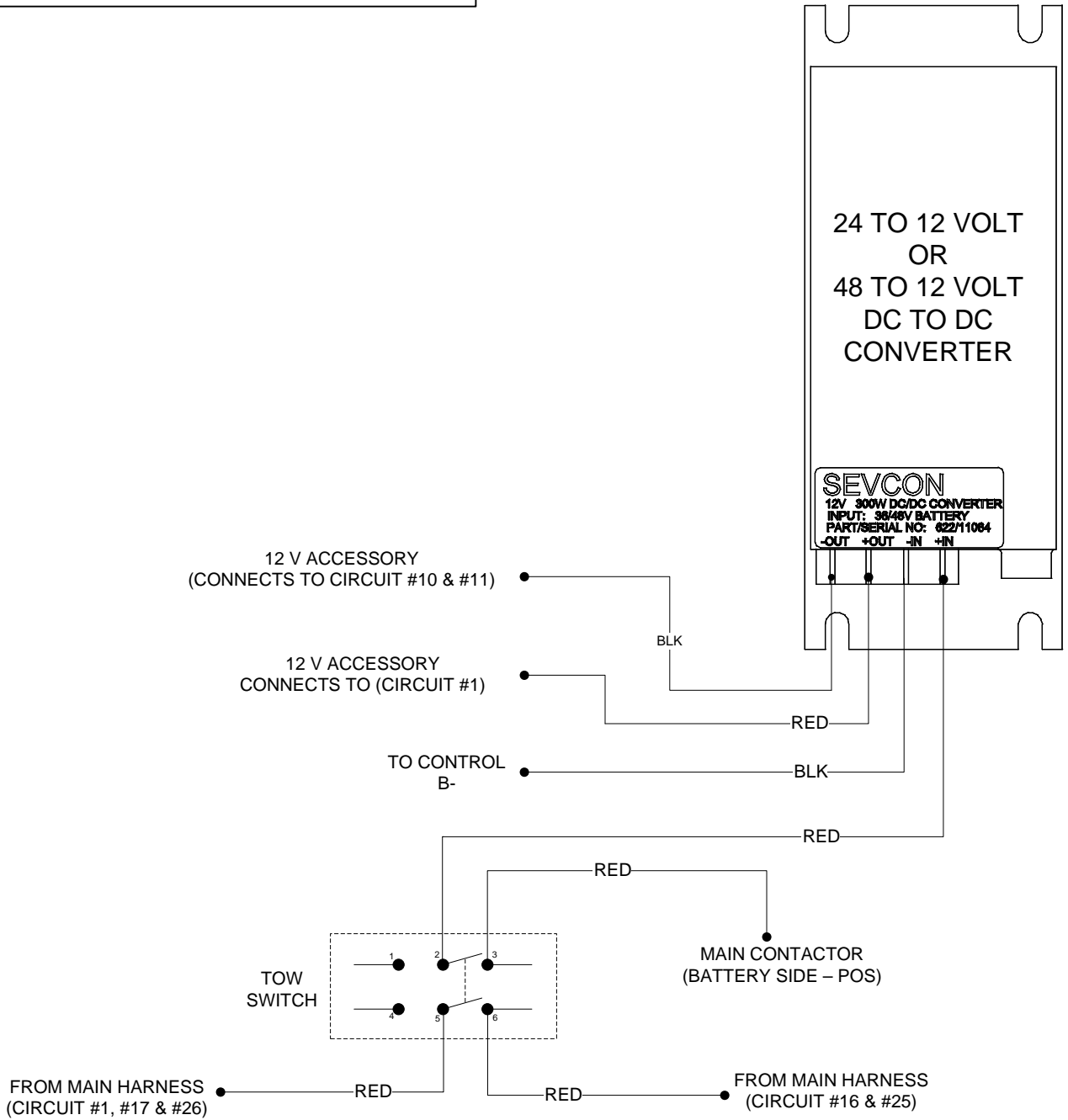
CONTROL PANEL COMPONENTS

IS12 / IR23 / IT34 VEHICLES

ITEM	CPC PART #	DESCRIPTION	QTY	SI PART #
1	43652-06	MOUNTING BRACKET - PANEL CONTROLLER	1	510517
2	47892-04	CONTROLLER, SEVCON REGEN HP, PRO 24-48 V	1	719293
*	47895-05	CONTROLLER, SEVCON REGEN B, 24-48 V (2005 & LATER)	1	719459
*	74897-02	CONTROLLER, SEVCON PLUG BRAKING, 24-48 V (2005 & LATER)	1	719095
		(NOTE: SPECIFY VIN, VOLTAGE, AXLE RATIO, AND CONTROLLER ID WHEN ORDERING)		
3	2551-W	SCREW, 1/4-20 X 1 GRD 5 HHC YEL 150	4	719564
4	6703-B	WASHER FLAT, STL 1/4 SAE UNHARD BLK	5	719811
5	7686	NUT 1/4-20 GR A NE NYLON INSERT LCK	4	719879
6	71455-01	CONTACTOR & MTG BRACKET, 24V (SW80)	1	709166
7	2339	SCREW, #10-24 X 3/4" HEX HD MACH	2	719551
8	6716	WASHER FLAT, STL #10 SAE UNHARD BLK	2	719812
9	7624	NUT 10-24 GR A NM MACH NYLON LOCK	2	719870
10	71408-96	BUZZER, REVERSE - 9/48 V DC	1	709038
11	84067-92	SHIM STRIKER	1	510247
12	3787-B	SCREW, HEX HEAD CAP 1/4-20 X 3/4 G5	1	719636
13	7724-B	NUT 1/4-20 GR A SERRATED FLNG LOCK	1	719887
14	69001-76A	HORN (INCLUDES NUT, ITEM 15)	1	709089
15	82934-96	NUT, M8	1	719936
*	70105-88	CABLE ASSY, 4 GA X 37 INCH	1	709019
*	70351-88	CABLE ASSY, 4 GA X 16.75 INCH	1	709600
*	70112-95	CABLE ASSY, 4 GA X 25.5 INCH	4	709732
*	70475-02	HARNESS, MAIN - IS12/IR23/IT34 (REV 2)	1	709942
*	75594-04	FUSE, 1 AMP (ATC/ATO)	1	719444
*	75593-04	FUSE, 5 AMP (ATC/ATO)	1	719445
*	69300-03	MOTOR, ELECT., 48 V SEPARATELY EXCITED	1	719135

* ILLUSTRATION NOT SHOWN

DC/DC CONVERTER SCHEMATIC DIAGRAM
IS12 / IR23 / IT34

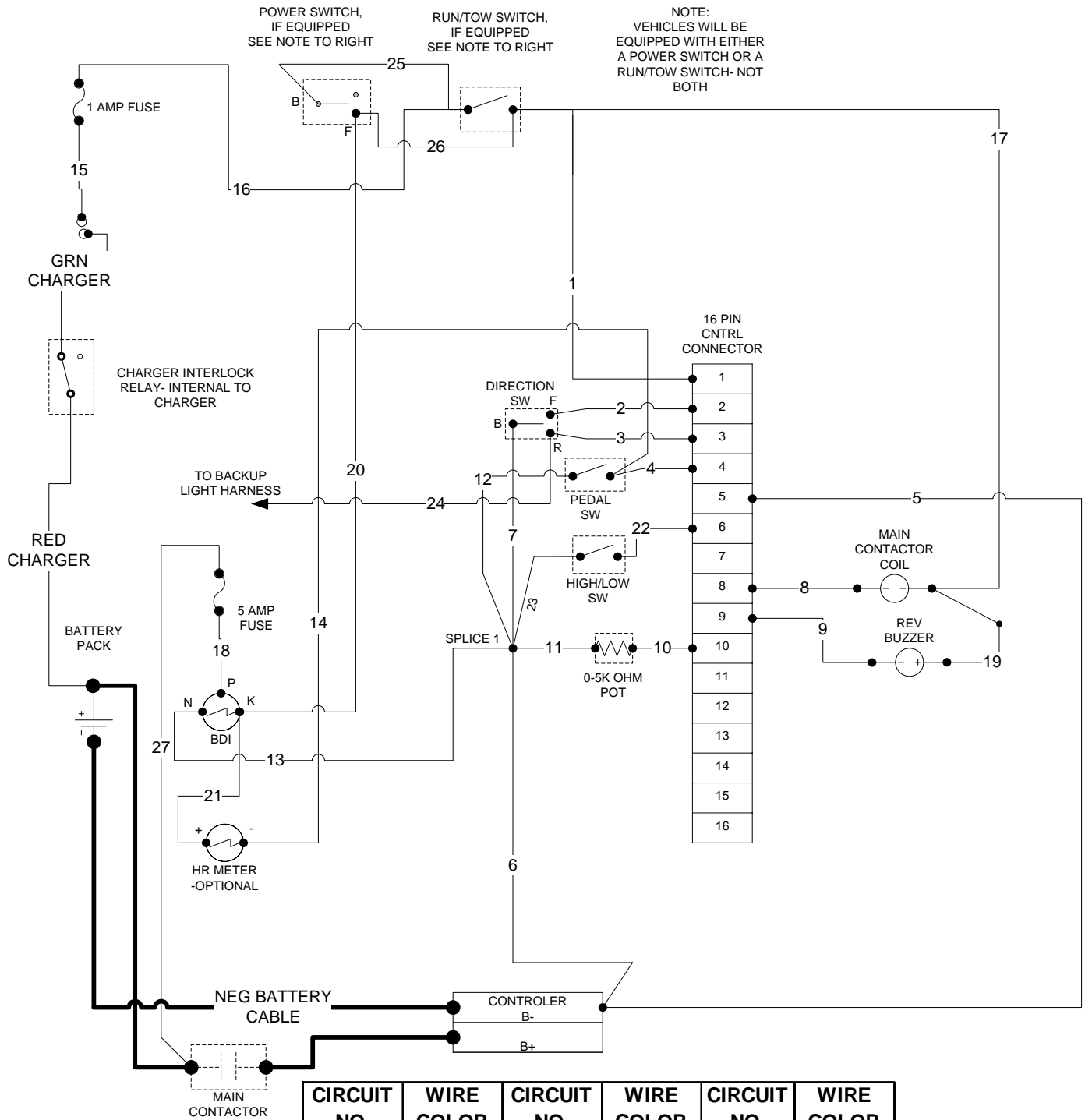


DC/DC CONVERTER SCHEMATIC DIAGRAM
IS12 / IR23 / IT34

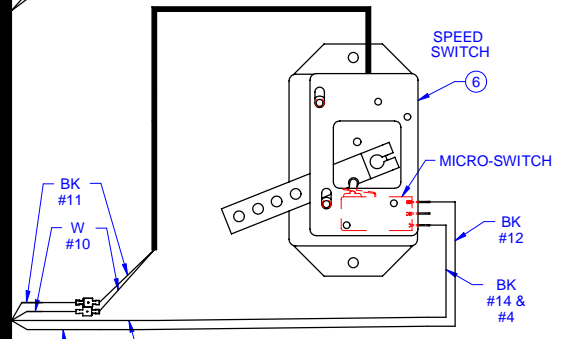
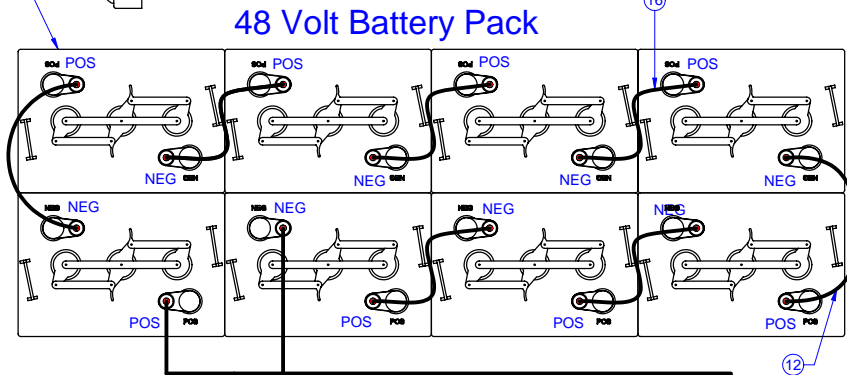
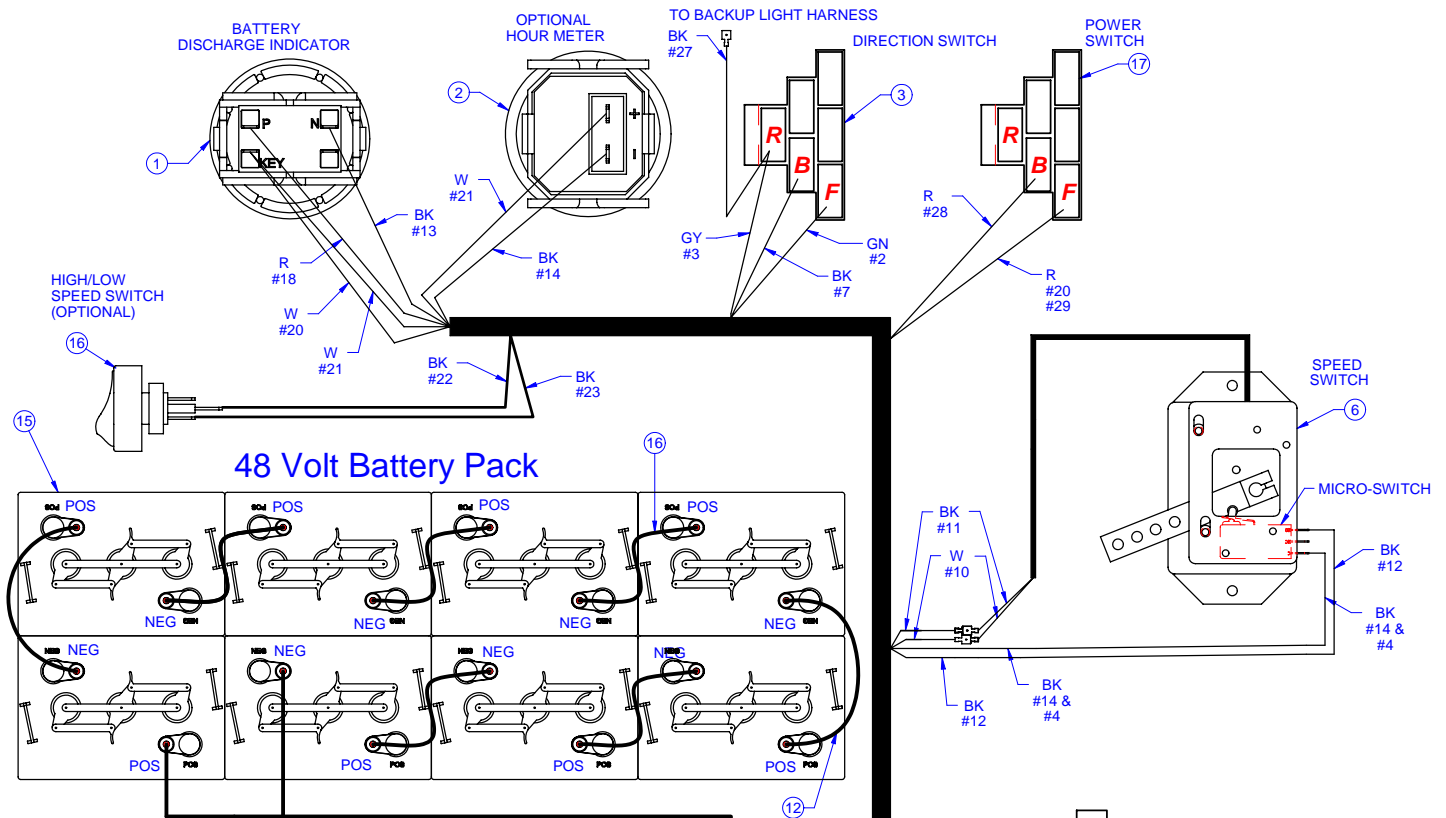
ITEM	CPC PART #	DESCRIPTION	QTY	SI PART #
1		SWITCH, ROCKER-FWD/REV DPDT	1	709391
2		CONVERTER, DC/DC 24V-12V	1	759700
*		CONVERTER, DC/DC 36/48-13.4V	1	719488

* ILLUSTRATION NOT SHOWN

MAIN SCHEMATIC DIAGRAM - IS12 / IR23 / IT34



CIRCUIT NO.	WIRE COLOR	CIRCUIT NO.	WIRE COLOR	CIRCUIT NO.	WIRE COLOR
1	RED	12	BLK	23	BLK
2	GRN	13	BLK	24	BLK
3	GRY	14	BLK	25	RED
4	BLK	15	RED	26	RED
5	BLK	16	RED	27	RED
6	BLK	17	RED		
7	BLK	18	RED		
8	BLK	19	YEL		
9	BLK	20	WHT		
10	WHT	21	WHT		
11	BLK	22	BLK		

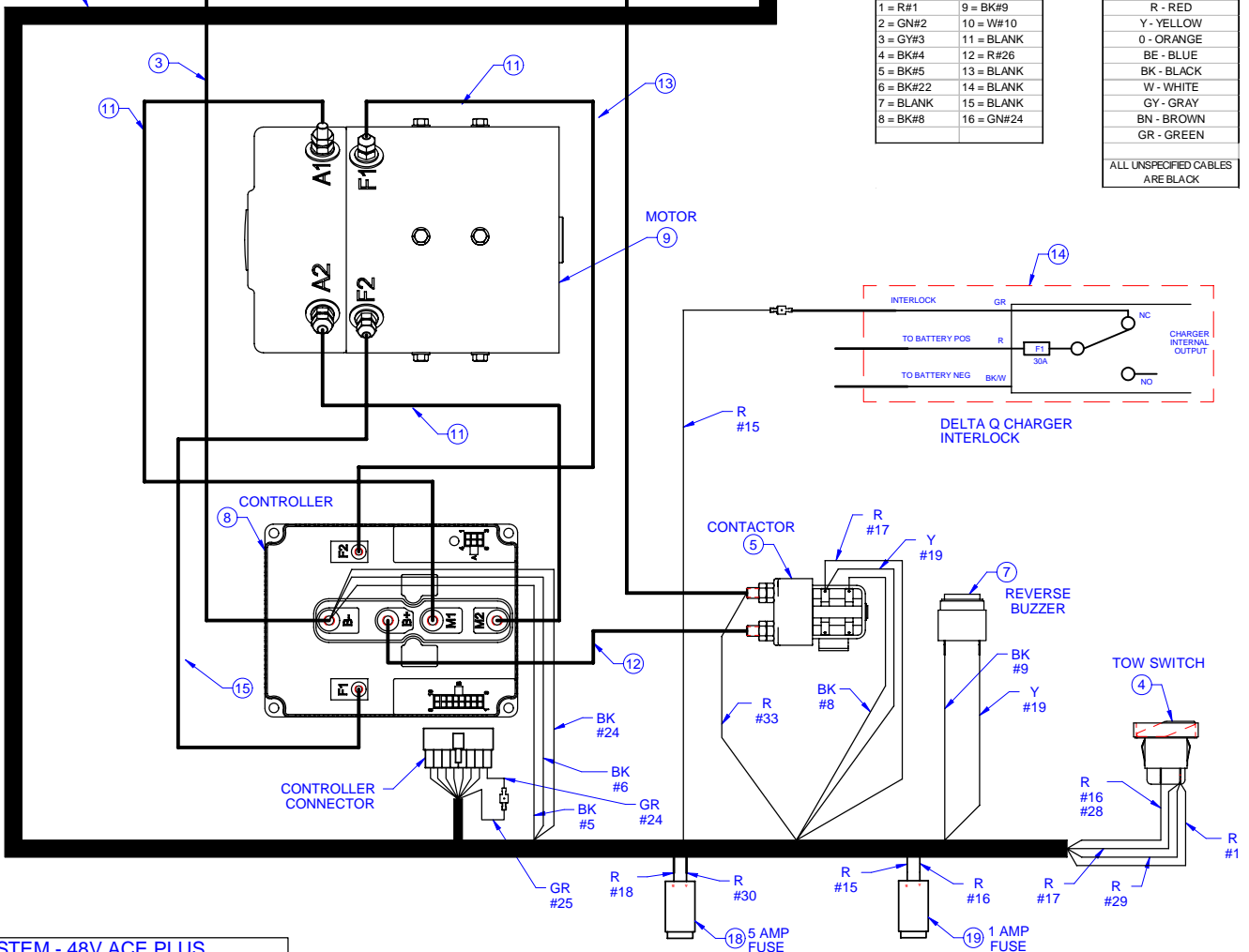


CONTROLLER CONNECTOR	
1 = R#1	9 = BK#9
2 = GN#2	10 = W#10
3 = GY#3	11 = BLANK
4 = BK#4	12 = R#26
5 = BK#5	13 = BLANK
6 = BK#22	14 = BLANK
7 = BLANK	15 = BLANK
8 = BK#8	16 = GN#24

WIRE #'S ARE LABELED PER SCHEMATIC

COLOR CODE	
R	- RED
Y	- YELLOW
O	- ORANGE
BE	- BLUE
BK	- BLACK
W	- WHITE
GY	- GRAY
BN	- BROWN
GR	- GREEN

ALL UNSPECIFIED CABLES ARE BLACK



POWER SYSTEM - 48V ACE PLUS
 STANDARD WIRING DIAGRAM - IS12 / IR34
 OPTIONAL WIRING DIAGRAM - IS12 / IR34
 REV 02

POPWER SYSTEM - 48V ACE PLUS
 STANDARD WIRING DIAGRAM - IT34
 OPTIONAL WIRING DIAGRAM - IT12 / IT34

ITEM	CPC PART #	DESCRIPTION	QTY	SI PART
1	75053-01	BDI METER, 48V, DIGITAL	1	709183
2	75033-91	HOUR METER, 10-80VDC	1	709452
3	71730-01	KEYSWITCH, UNIVERSAL W/HARDWARE	1	709040
4	71516-01	SWITCH-TOWRUN	1	709165
*		SWITCH, ROCKER-FWD/REV DPDT	1	719391
5	71455-01	CONTACTOR & MTG BRACKET, 24V (SW80)	1	709166
6	70061-00	SWITCH SPEED ASSY	1	709369
7	71408-96	ALARM, REVERSE - 9/48V DC	1	709038
8	47892-04	CNTRL, SEVCON REGEN HP, 24-48V	1	719293
9	69300-03	MOTOR,ELECT., 48V, SEP EX, STD DUTY	1	719135
10	70475-02	WIRE HARNESS, MAIN, MAIN-ROVR	1	709942
11	70112-95	CABLE ASSY,4GA X 25.5, 5/16"TERMINALS	4	709732
*	32971-67	WIRE MARKER, "A1", BRADY	2	719601
*	32971-67	WIRE MARKER, F1 BRADY	2	719330
*	32972-04	WIRE MARKER, F2 BRADY	2	719331
*	32970-67	WIRE MARKER, "A2", BRADY	2	719600
12	70351-88	CABLE ASSY, 4GA X 16.75, 5/16" TERMINALS	3	709600
*	71581-84	WIRE MARKER, POSITIVE	7	749180
13	70105-88	CABLE ASSY, 4GA X 37", 5/16" TERMINALS	2	709019
*	71582-84	WIRE MARKER, NEGATIVE	1	749181
14		CHARGER, DELTA Q, 48V SEALED	1	719249
*	70447-90	CHARGER CORD, 6' (L), 14/3 WIRE BLK	1	719264
*	66034-02	PLUG, POWER INLET 120V SEALED	1	709558
15	66014-03	BATTERY, 6V, DEEP CYCLE (US2200)	8	719229
*	66005-03	BATTERY, 6V, DEEP CYCLE (US-145) OPTIONAL	8	719231
16	70099-88	CABLE ASSY, 4 GA X 8.75", 5/16 TERMINALS	5	709004
*	50009-04	INSULATOR BOOT, CABLE TERMINAL	4	719464
*	9990-W	ZIP TIE, .18" X 8-1/2", BLACK	6	719605
17	71511-87A	SWITCH, ROCKER, ILLUMINATED SPST	1	709412
*	66493-67A	EXTENSION CORD, BUILT-IN CHARGER	1	709890
18	75593-04	FUSE, 5 AMP ATO/ATC	1	719445
19	75594-04	FUSE, 1 AMP ATO/ATC	1	719444

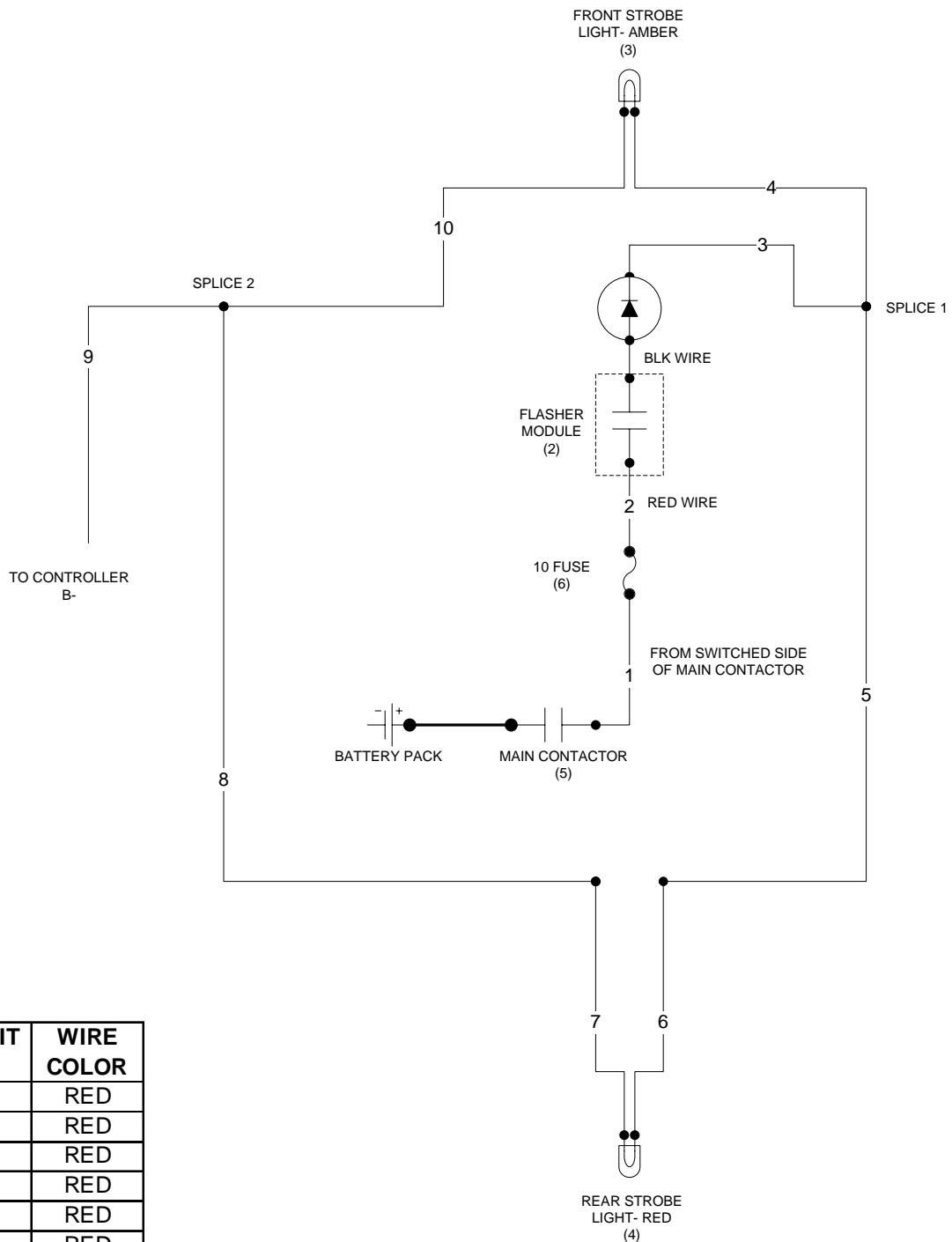
* ILLUSTRATION NOT SHOWN

Parts Manual

Section 6

Options

FLASHING FRONT AMBER & REAR RED LIGHT HARNESS SCHEMATIC IR23



CIRCUIT NO.	WIRE COLOR
1	RED
2	RED
3	RED
4	RED
5	RED
6	RED
7	BLK
8	BLK
9	BLK
10	BLK

FLASHING FRONT AMBER & REAR RED LIGHT HARNESS SCHEMATIC IR23

ITEM	CPC PART #	DESCRIPTION	QTY	SI PART #
1		WIRE HARNESS, FLASHER - IR23	1	719267
2		ASSY, FLASHER MODULE, 12-48V	1	467306
3		STROBE, AMBER, 12V, RECTANGUALR	1	719255
4		STROBE, RED, 12V, RECTANGULAR	1	719256
5	71455-01	CONTACTOR & MTG BRACKET, 24V (SW80)	1	709166
6	74596-02	FUSE, 10 AMP ATO/ATC	1	709786