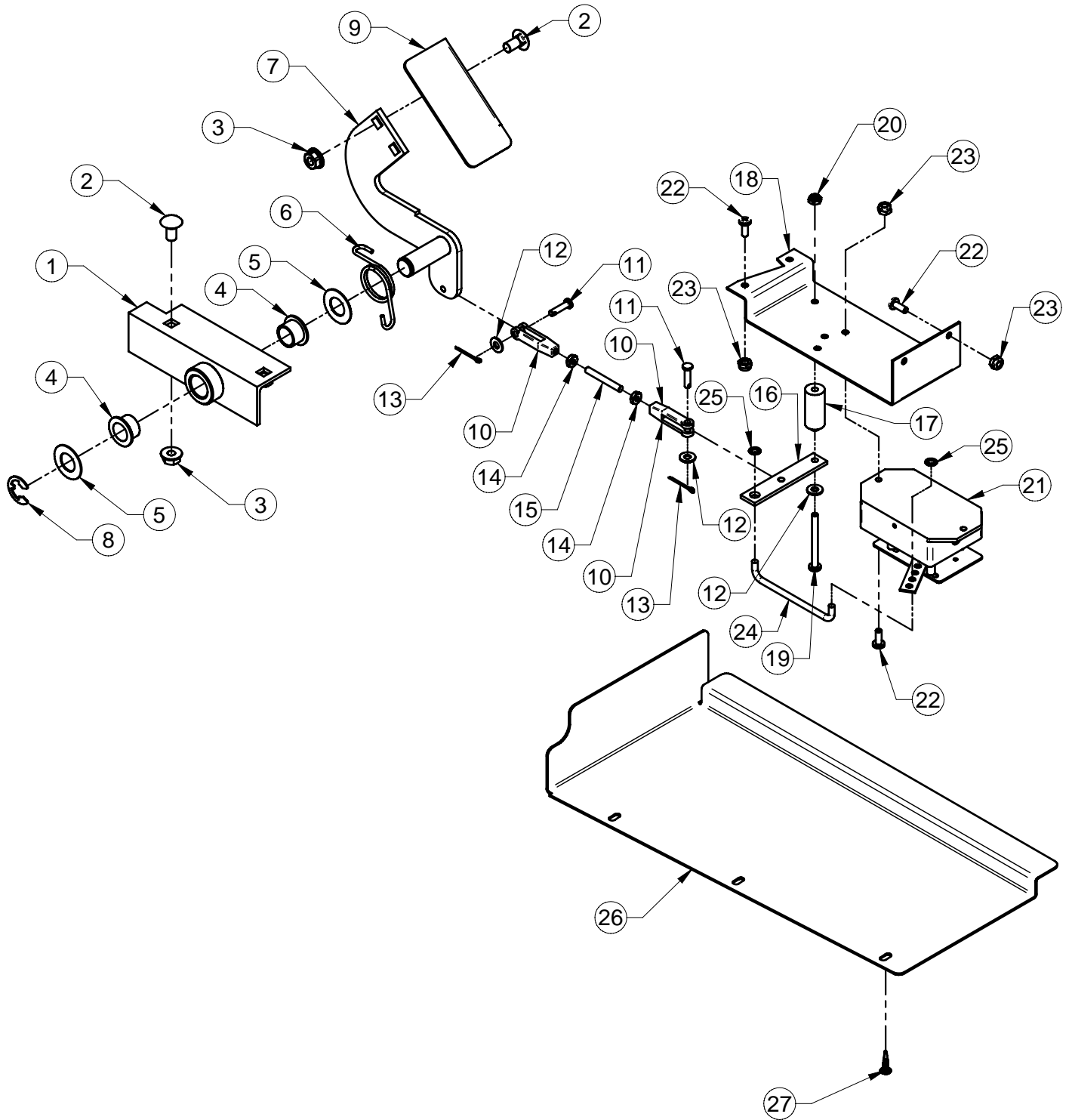


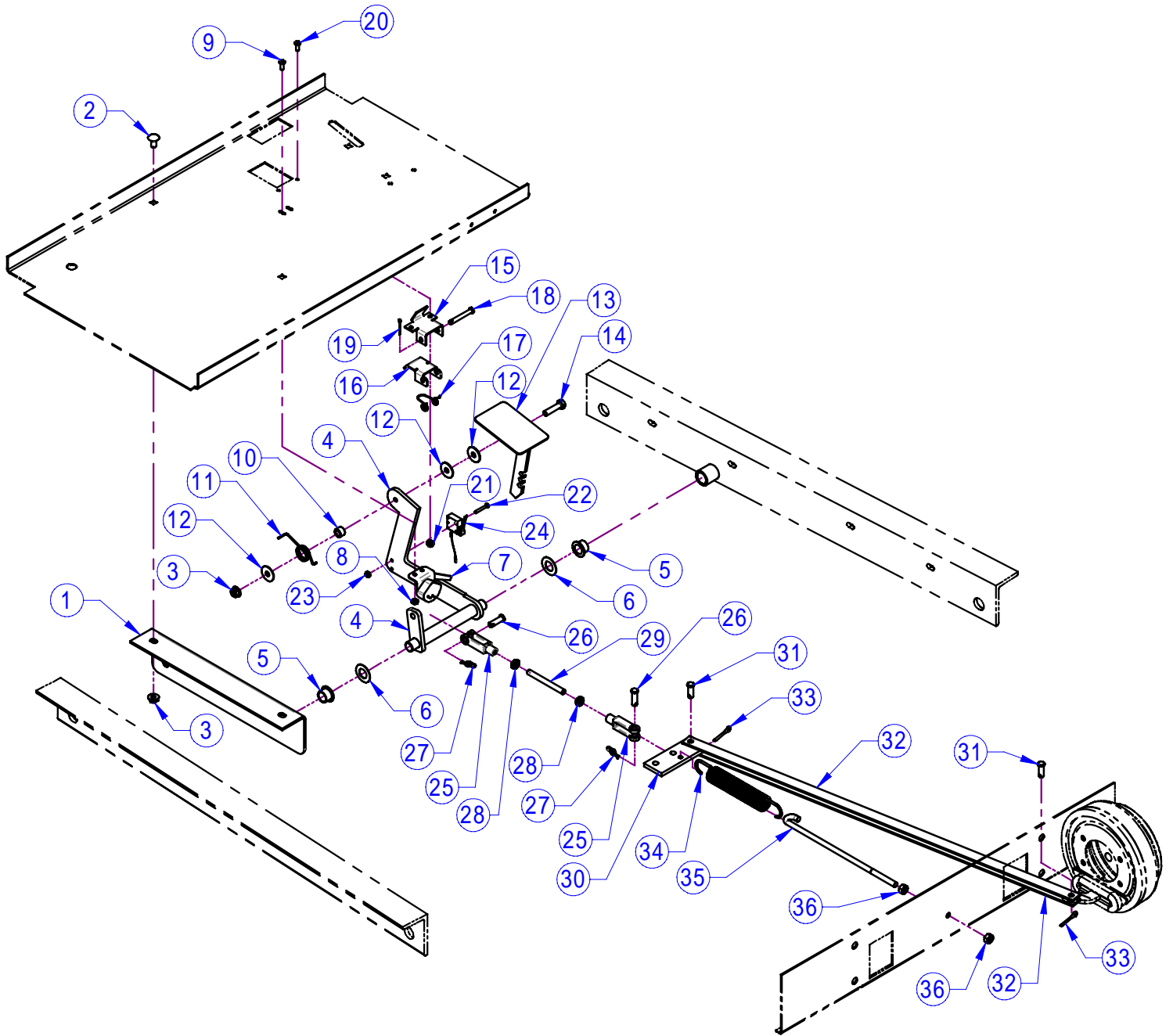
ACCELERATOR LINKAGE - EX 21/TE 31



GROUP ACCLERATOR LINKAGE EX21/TE31

ITEM	CPC PART #	DESCRIPTION	QTY	SI PART #
1	40586-96	ACCLERATOR MTG BRKT WELDMT	1	304521
2	5452-BS	CARRIAGE BOLT, 5/16-18 X 5/8 GR 5 BLK	4	719751
3	7525	LOCKNUT, 5/16-18 HEX FLG WHIZ	4	719864
4	9077	BUSHING NYLON FLANGE	2	719957
5	6716	WASHER FLT STL .635 X 1.185 X .036 YWZC	2	719815
6	40503-96	SPRING, TORSION 1" ID X .105 T	1	709689
7	40590-96	ACCEL. ARM WELD.	1	307215
8	11077	E-RING, .625 PHOS	1	719516
9	40580-95	CPC ACCEL. PEDAL	1	509151
10	42456-86	CLEVIS	2	709045
11	502	CLEVIS PIN, Ø 3/16 X 3/4 BLACK ZINC	2	719718
12	6716	WASHER FLT STL #10 SAE UNHARD BLK	3	719812
13	515	PIN, COTTER 1/16 X 3/4 18-8 SS BLK ZC	2	719726
14	7638	NUT, #10-32 GR 2 HEX MACH YWZC	2	719872
15	4003	STUD, FULLY THREADED #10-32 X 1 1/2"	1	719646
16	40591-96	ACCL SPEED CNTRL LEVER	1	509058
17	40560-96	STANDOFF, WHT DELRIN .203 X .625 X 1.5	1	719653
18	40593-96	SPEED CONTROL MTG. PLATE	1	509237
19	3477	SCREW, #10-32 X 2 PHILLIPS PHM	1	719624
20	7626	NUT, #10-32 GR A NM MACH. NYLON LOCK	1	719871
21	70061-00	ASSEMBLY MICROSWITCH - EX 21	1	464387
22	2592	SCREW, #10-24 X 1/2 PHILLIPS PHM	6	719566
23	7624	NUT, #10-24 GR A NM MACH NYLON LOCK	6	719870
24	45403-98	SPEED CONTROL LINKAGE	1	709700
25	5298	PALNUT, 3/16 STUD PS STYLE PHOS/OIL	2	719741
26	42429-96	GUARD, PEDAL	1	509230
27	2653-B	SCREW, #10-16 X 3/4", HEX WSH HD, TEK	3	719583

BRAKE LINKAGE - EX21 / TE31

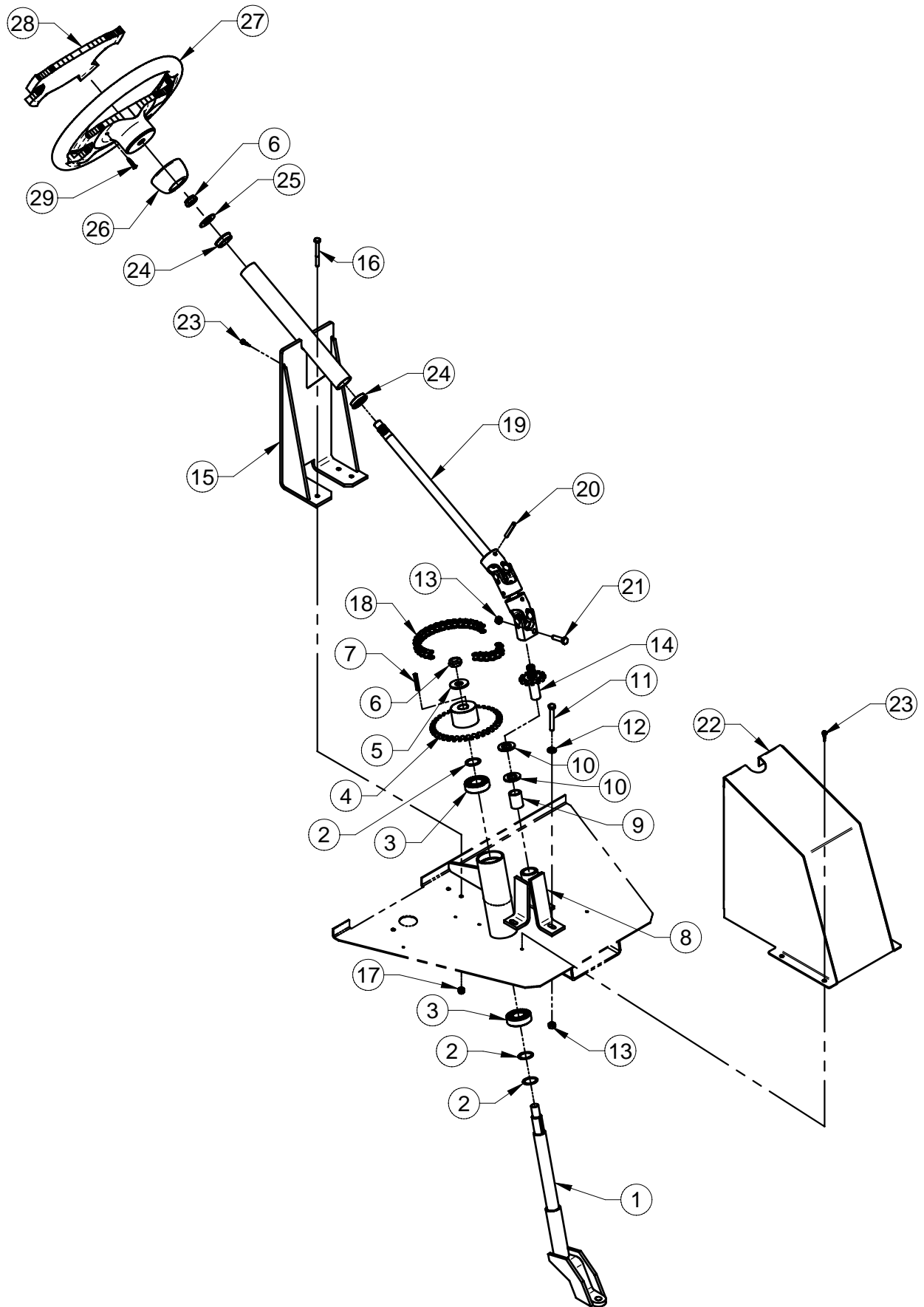


REV 00

BRAKE LINKAGE - EX 21

ITEM	CPC PART #	DESCRIPTION	QTY	PART NO
1	42665-96	BRAKE PIVOT WELD.	1	307172
2	5452-BS	CARRIAGE BOLT, 5/16-18 X 5/8 GR 5 BLK	2	719751
3	7525	LOCKNUT, 5/16-18 HEX FLG WHIZ	3	719864
4	42564-96	BRAKE ARM WELD	1	307212
5	9077	BUSHING NYLON FLANGE	2	719957
6	6716	WASHER FLT STL .635 X 1.185 X .036 YWZC	2	719815
7	68040-96	SWITCH, STOP LAMP	1	709704
8	7626	NUT, #10-32 GR A NM MACH. NYLON LOCK	2	719871
9	2604	SCREW, #10-32 X 1/2 PHILLIPS PHM	2	719570
10	26252-96	BUSHING, BRAKE BLK ZC	1	709688
11	11813-96	SPRING, TORSION - 7/8 ID	1	709687
12	6830	WASHER FLT NYLON 5/16 X 1 X .036	3	719816
13	42660-96	BRAKE PEDAL	1	307210
14	2871-W	SCREW, 5/16-18 X 1 1/4 GRD 5 HHC	1	719592
15	42668-96	PARKING BRAKE LATCH	1	509251
16	42667-96	BRAKE LOCK LATCH	1	509250
17	11814-96	SPRING, TORSION - DOUBLE	1	709686
18	42360-96	CLEVIS PIN, 1/4 X 1 3/4 ZINC/CLEAR	1	719660
19	515	PIN, COTTER 1/16 X 3/4 18-8 SS BLK ZC	1	719726
20	2592	SCREW, #10-24 X 1/2 PHILLIPS PHM	2	719566
21	7624	NUT, #10-24 GR A NM MACH NYLON LOCK	2	719870
22	2556	SCREW, #6-32 X 1 PHILLIPS PHM	2	719565
23	7592	NUT, #6-32 GR A NM MACH BYLON YWZC	2	719866
24	78012-98	ASSEMBLY MICROSWITCH - EX 21	1	464387
25	73059-96	CLEVIS #52 5/16-24 ADJ YOKE END CLR	2	719852
26	494	CLEVIS PIN, Ø5/16 X 1 ZINC/CLEAR	2	719709
27	552	COTTER RING ZINC PIVOT POINT RUE #10	2	719752
28	7744	NUT, 5/16-24 GR 2 HEX JAM YWZC	2	719895
29	24820-96	STUD, 5/16-24 X 3 FULL THDED	1	719558
30	42670-96	BRAKE CROSSMEMBER	1	510327
31	497	CLEVIS PIN, Ø5/16 X 7/8 YELLOW/ZINC	4	719713
32	42393-96	BRAKE STRIP	4	509262
33	520W	PIN, COTTER 1/8 X 1 YELLOW ZINC	4	719728
34	11812-96	SPRING, EXTRUSION	1	709685
35	42424-96	ROD, ADJUSTING	1	709693
36	7748-B	NUT, 5/16-24, HEX. FULL-FINIHS, G2, BLK	2	719896

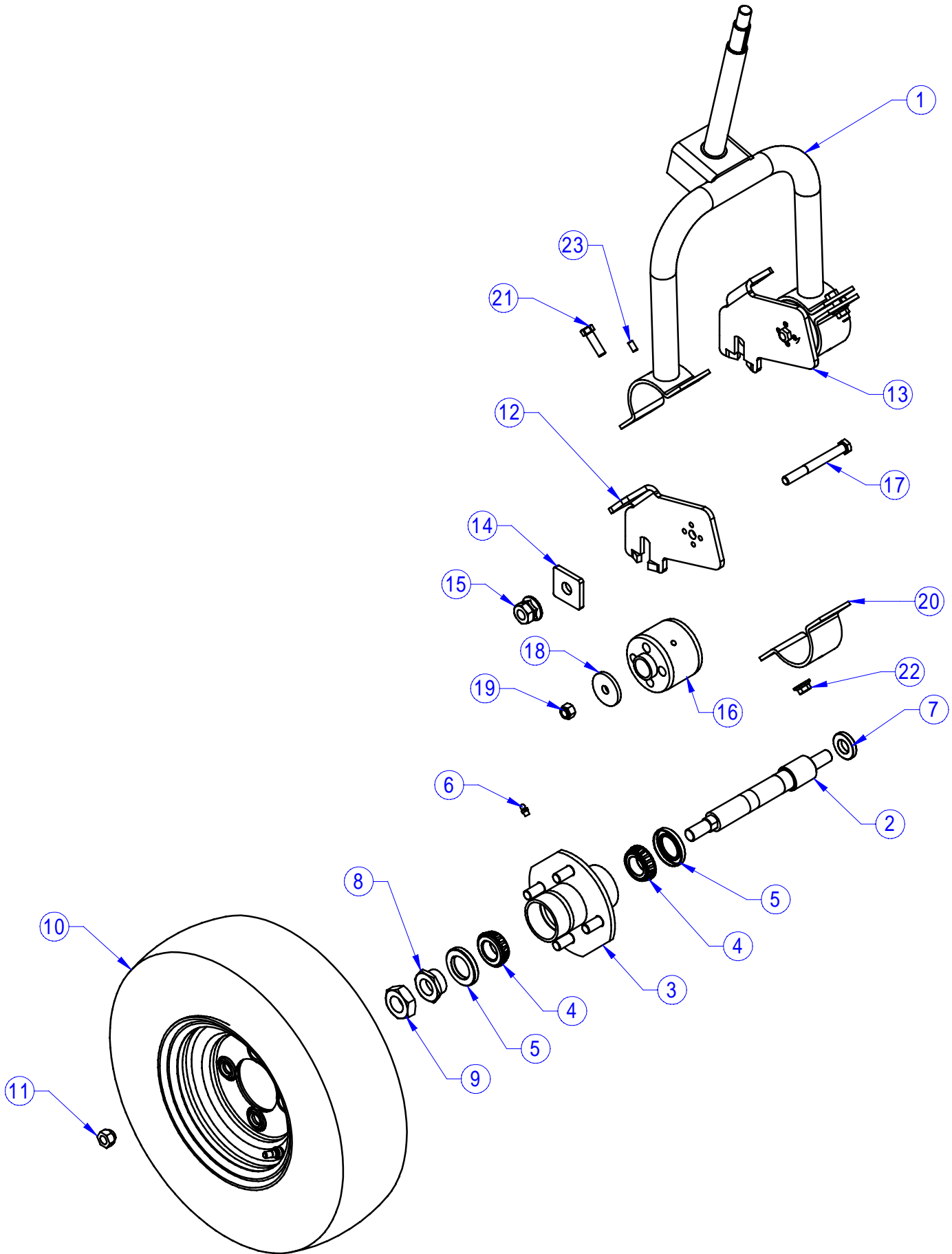
STEERING WHEEL OPTIONAL - EX 21



ITEM	CPC PART #	DESCRIPTION	QTY	SI PART #
1	45560-04	WELDM'T, FORK - FRONT, EX 21 (4 WHEEL OPTION)	1	307590
1A	45530-96	EX-21 FRNT FORK WLDMNT (3 WHEEL OPTION)	1	304602
2	6832	WASHER, 1.250 OD X 1.00 ID X .042 THK	3	709353
3	9078	BEARING 1641-2RS-Q	2	719958
4	57107-00	SPROCKET STEERING	1	306438
5	6655-B	WASHER FLT STL 9/16 STD UNHARD BLK	1	719808
6	7995	NUT, 5/8-18 GR A NTE NYLON JAM INSERT	2	719919
7	41204-63A	KEY, SQUARE PL, 3/16 X 1-7/16	1	719656
8	57047-00	TRIPOD, STEERING	1	709503
9	57351-95	BUSHING NYLON NN1216-20	1	719765
10	57363-95	WASHER FLAT NYLON .76 ID 1.42 OD	2	719767
11	3419	SCREW, 5/16-18 X 2-1/4" HH, GRADE 5, ZINC	3	719616
12	6702-B	WASHER FLT STL 5/16 BLK MAXCOAT	3	719810
13	7739	NUT, 5/16-18, NE, NYLON INSERT, GA, YWZC	4	719892
14	57106-00	SPROCKET PINION STEERING	1	307437
15	57046-00	WELDM'T, COLUMN, STEERING - EX 21	1	307288
16	3768	SCREW, 1/4-20 X 2-1/2, HHCS, G5, YW ZC	4	719631
17	7686	NUT 1/4-20 GR A NE NYLON INSERT LCK	4	719879
18	57241-00	CHAIN, STEERING WHL - EX21/TE31 (23 LK)	1	463497
19	57075-04	SHAFT, STEERING - EX 21	1	467196
20	388	ROLL PIN, 1/4 X 2"	3	719639
21	2871-W	SCREW, 5/16-18 X 1 1/4 GRD 5 HHC	1	719592
22	57024-00	WELDM'T, STRG COL GUARD - EX21/TE31	1	307292
23	2653-B	SCREW, 10-16X3/4, HEX-, WSH-HD, TEK	6	719583
24	9029	BALL BEARING, .75" ID, STEERING COL.	2	709023
25	6656	BUSHING 3/4 X 1-1/2 X 14GA WIDE RIM YWZ	1	719809
26	57024-00	STEERING HUB COVER	1	709085
27	57069-84	STEERING WHEEL, SPORT	1	709056
28	57089-99	SCORECARD HOLDER	1	709043
29	2641	SCREW, #10 X 1, PPH, TAPPING, T-A BLACK	2	729263

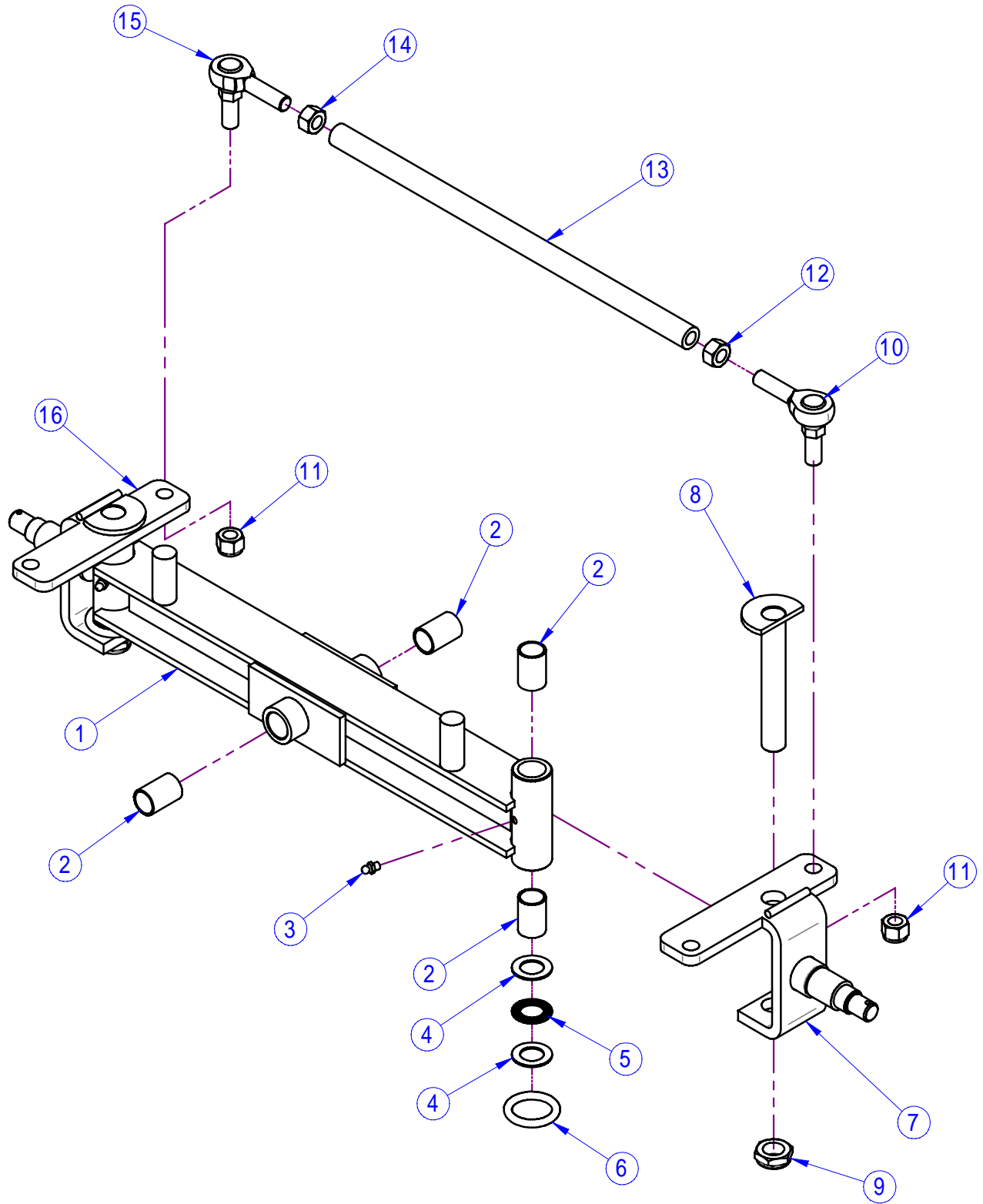
* ILLUSTRATION NOT SHOWN

FRONT SUSPENSION 3_WHEEL



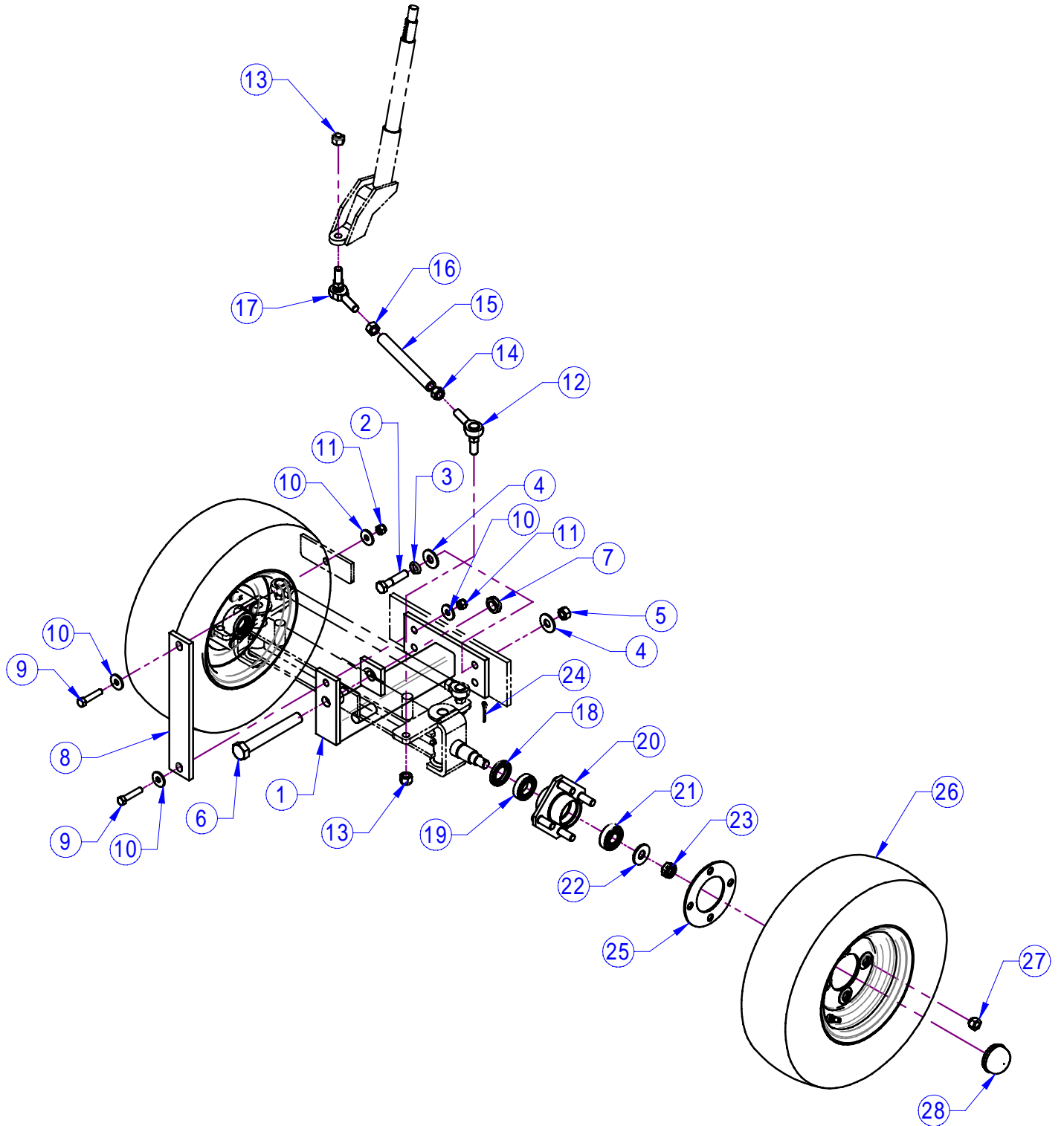
ITEM	CPC PART #	DESCRIPTION	QTY	SI PART #
1	45530-96	FRONT FORK WELDM'T - EX-21	1	304602
2	43484-96	AXLE, FRONT FORK	1	709445
3	43485-96	BOLT 4.00" B.C. HUB	1	709444
4	44003-95	ROLLER BEARING, L44643	2	719864
5	44004-95	SEAL BEARING, 125192TB	2	719685
6	9800	GREASE FITTING, 1/4"-28, SELF-TAPPING	1	709110
7		WASHER FLT STL YWZC .734 X 1.375 X.24	1	719801
8	7896	NUT, BEARING ADJUSTING	1	709443
9	7897	NUT, 1-8 GR 2, HEX JAM CLR ZINC	1	719914
10	40988-95	RIM & TIRE, 4.80 X 8.00 LRB	1	709107
11	43152-66	NUT, 1/2-20, TAPERED WHEEL	4	709002
12	43473-96	BRACKET- RH, EX 21	1	509168
13	43472-96	BRACKET - LH, EX 21	1	509167
14	45400-98	PLATE, RETAINING-AXLE	2	509161
15	8166	NUT, 5/8-11 DISC-LOCK #NSC207-01	2	719924
16	43470-96	MOUNT, SUSPENSION	2	709401
17		SCR, HX HD 7/16-20 X 4 G5 ZINC/CLR	2	719666
18	6336	WASHER FLT STL UNHARD 7/16 CLR/ZNC	2	719790
19	7825	NUT, 7/16-20, LOCK, GA, NE, NYLON INSERT	2	719908
20		EX-21 FORK HALF CLAMP	2	509171
21	4716-W	SCREW, HX HD CAP 3/8-16 X 1 ¼ G5	4	719694
22	7512	NUT, 3/8-16 GR A SERRATED FLG	4	719860
23	625	ROLL PIN, 1/4" OD X 1/2" (L) ,ZNC	2	719121

4 WHEEL FRONT AXLE LINKAGE - EX 21



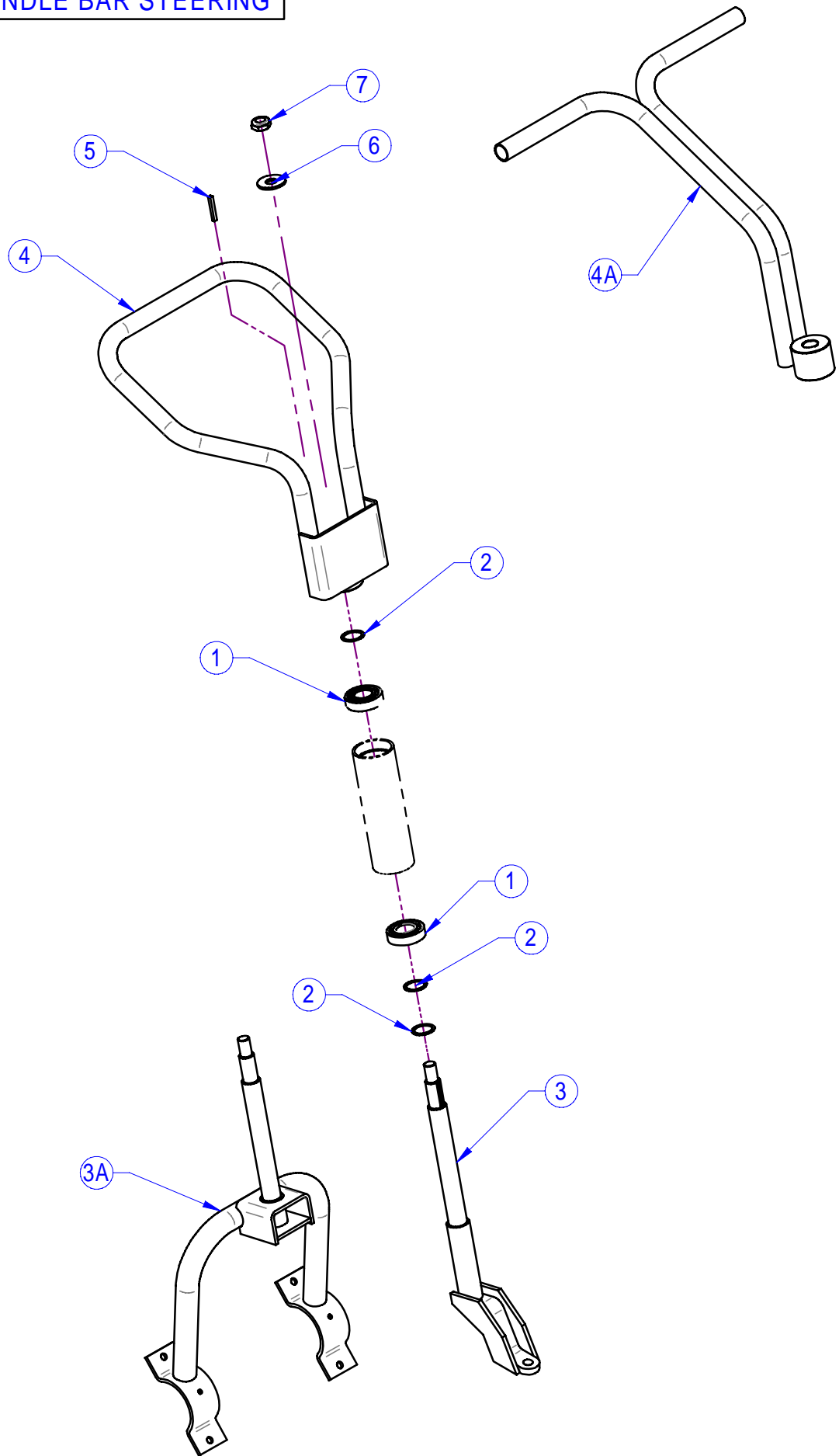
ITEM	CPC PART #	DESCRIPTION	QTY	SI PART #
1	58427-04	WLDMT, EX-21 TRUNNION	1	307586
2	9083	BUSHING, .751 X .878 X 1.25 OILITE	6	719961
3	9800	GREASE FITTING, 1/4"-28, SELF-TAPPING	2	709110
4	6042	WASHER, NEEDLE THRUST	4	709217
5	9085	BEARING TORRINGTON NEEDLE THRUST	2	719962
6	11100	O-RING, #332, 1-1/4 X 1/4	2	709218
7	58664-04	WELDM'T, STEERING SPINDLE - LH, EX 21	1	307587
8	56843-00	KINGPIN ASSY	2	306093
9	7513	NUT, 3/4-16 GR A NTE STYLE JAM NYLON	2	719861
10	57063-96	ASSY, TIE ROD END - 1/2-20 RH THD	1	709761
11	7812-W	NUT, 1/2-20 GR A NE NYLON INSERT YWZ	2	719907
12	7644	NUT, 1/2-20 GR 2 HEX JAM YWZC	1	719873
13	58616-04	LINK, TIE ROD - LONG	1	509770
14	5832	NUT, 1/2-20 GR 2 HEX JAM YWZC - LH THD	1	719360
15	58604-04	ASSY, TIE ROD END, LH THREAD	1	719343
16	58663-04	WELDM'T, STEERING SPINDLE - RH, EX 21	1	307588

4 WHEEL FRONT SUSPENSION - EX 21



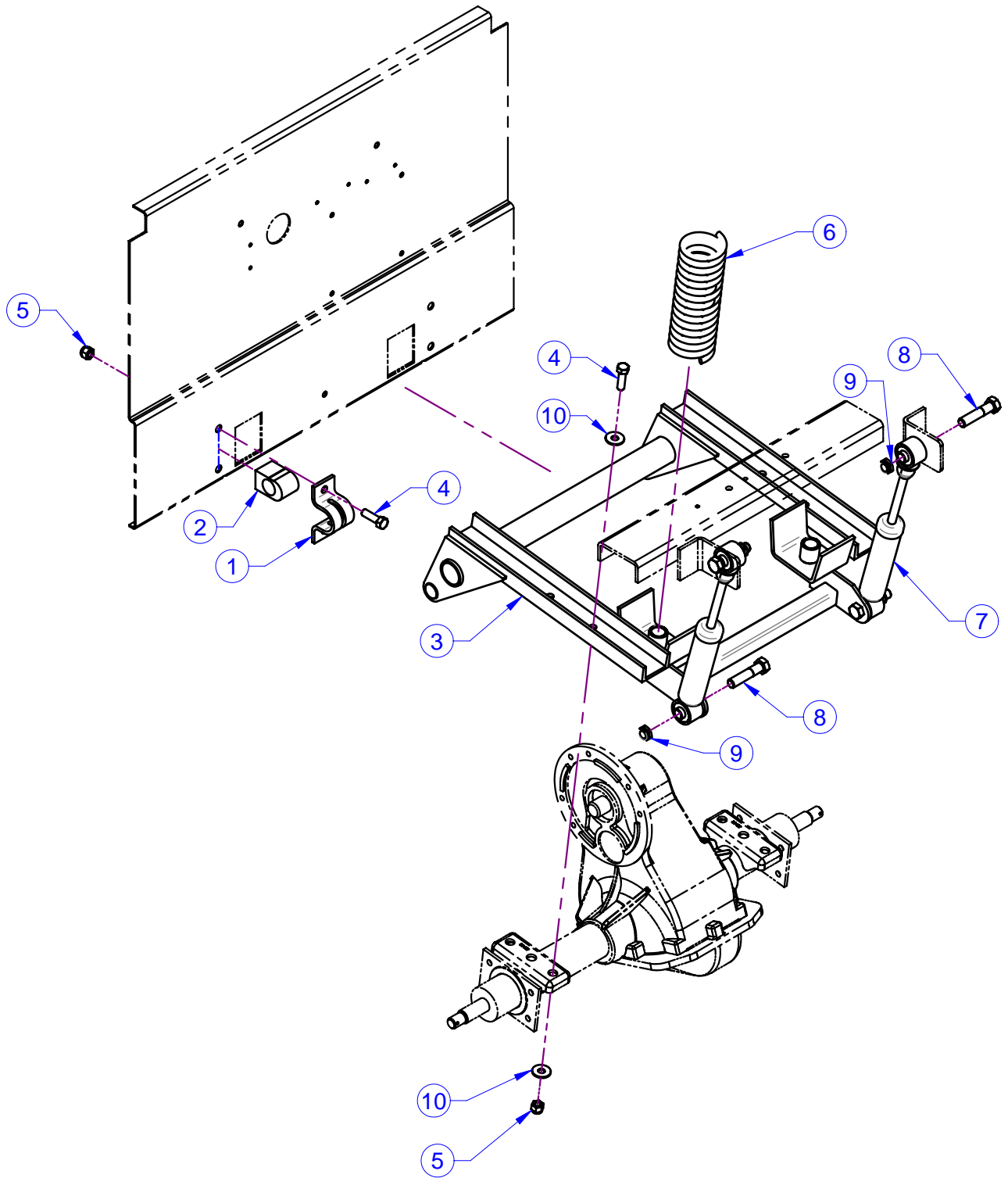
ITEM	CPC PART #	DESCRIPTION	QTY	SI PART #
1	828872-04	WELDM'T, AXLE SPRT - EX 21	1	307585
2	3407	SCREW, 1/2-13 X 2 1/4 GRD 5 HHC	4	719611
3	7068	WASHER, LOCK, 1/2 REGULAR MECH YWZC	4	719840
4	6005	WASHER, FTL STL, 1/2 STD UNHARD YWZC	8	719772
5	7880	NUT, 1/2-13 GR 2 HEX FULL YWZC	4	719913
6	54817-00	SCREW, 3/4-16 X 5-1/2", HHCS, G5, ZC	1	739586
7	7513	NUT, 3/4-16 GR A NTE STYLE JAM NYLON	1	719861
8	45404-04	PLATE, RETAINER - AXLE	1	509763
9	4720-B	SCREW, HX HD CAP 3/8-16 X 1-3/4 G5	2	719696
10	6417-W	WASHER, FLT STL BLK ZNC .391 X 1.125	4	719797
11	7778	LOCKNUT, 3/8 - 16 HEX NYLOK	2	719902
12	57063-96	ASSY, TIE ROD END - 1/2-20 RH THD	1	709761
13	7812-W	NUT, 1/2-20 GR A NE NYLON INSERT YWZ	2	719907
14	7644	NUT, 1/2-20 GR 2 HEX JAM YWZC	1	719873
15	46816-04	LINK, TIE ROD - SHORT	1	509769
16	7520	NUT, 1/2-20 GR 2 HEX JAM YWZC - LH THD	1	719360
17	43960-04	ASSY, TIE ROD END, LH THREAD	1	719343
18	12030	SEAL, OIL	2	709017
19	9031	BEARING 6005	2	719954
20	43463-89	HUB FRONT WHEEL WLDMNT	2	303069
21	9030	BEARING 6204	2	719953
22	6655-B	WASHER FLT STL 9/16 STD UNHARD BLK	2	719808
23	7947-B	NUT, 5/8-18 GR 2 SLOTTED HEX BLK MAX	2	719915
24	520W	PIN, COTTER 1/8 X 1 YELLOW ZINC	2	719728
25	43740-04	SPACER, WHEEL - 4 HOLE	2	509958
26	40988-95	RIM & TIRE, 4.80 X 8.00 LRB	2	709107
27	43152-66	NUT, 1/2-20, TAPERED WHEEL	8	709002
28	43646-79	HUB GREASE CAP	2	709018

TILLER OR HANDLE BAR STEERING



ITEM	CPC PART #	DESCRIPTION	QTY	SI PART #
1	9078	BEARING 1641-2RS-Q	2	719958
2	6832	WASHER, 1.250 OD X 1.00 ID X .042 THK	3	709353
3		WELDM'T, FORK - FRONT, EX 21	1	307590
3A	45530-96	FRONT FORK WELDM'T - EX-21	1	304602
4	57036-96	EXPEDITER TILLER BAR WELD.	1	304581
4A	57038-99	EXPEDITER HANDLE BAR WLDMNT	1	305644
5	41204-63A	KEY, SQUARE PL, 3/16 X 1-7/16	1	719656
6	6655-B	WASHER FLT STL 9/16 STD UNHARD BLK	1	719808
7	7995	NUT, 5/16-18 GR A NTE NYLON JAM INSERT	1	719919

REAR SUSPENSION - EX 21



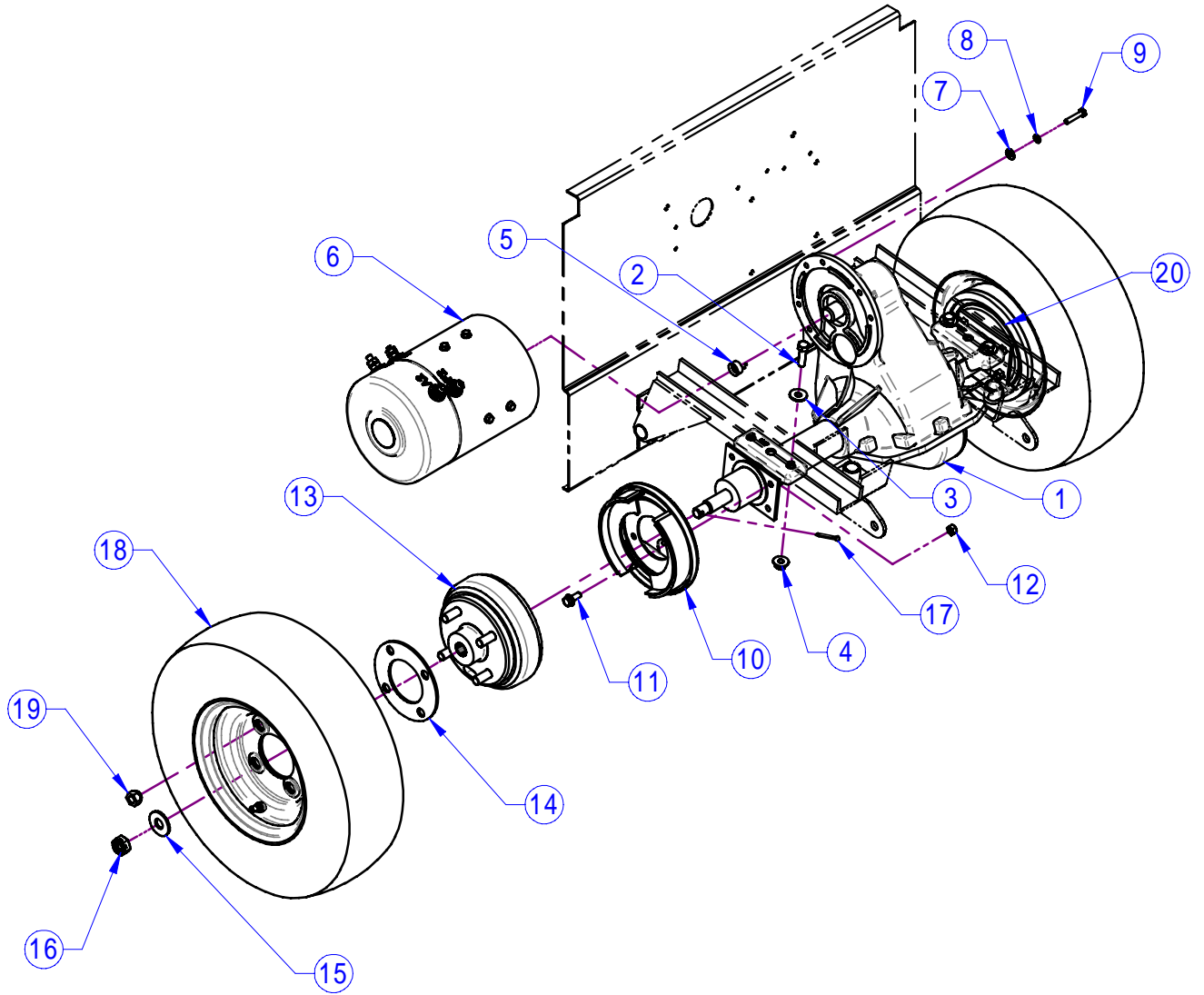
VER 01

REAR SUSPENSION - EX 21

ITEM	CPC PART #	DESCRIPTION	QTY	SI PART #
1	54626-96	STABILIZER RETAINER	2	509190
2	54624-96	BLOCK, STABILIZER	2	709405
3	19401-06	REAR SUSPENSION A/ - EX 21	1	308338
4	4716-W	SCREW, HX HD CAP 3/8-16 X 1 1/4 G5	8	719694
5	7778	LOCKNUT, 3/8 - 16 HEX NYLOK	8	719902
6	54567-96	SPRING, COMPRESSION	2	709403
7	54514-89	SHOCK ABSORBER	2	709006
8	3407	SCREW 1/2-13 X 2-1/4 HEX CAP	4	719611
9	7685	NUT, 1/2-13 ANTE SYLON LOCK	4	719878
10	6416	WASHER FLT STL BLK ZNC 3/8 STD	8	719796

VER 01

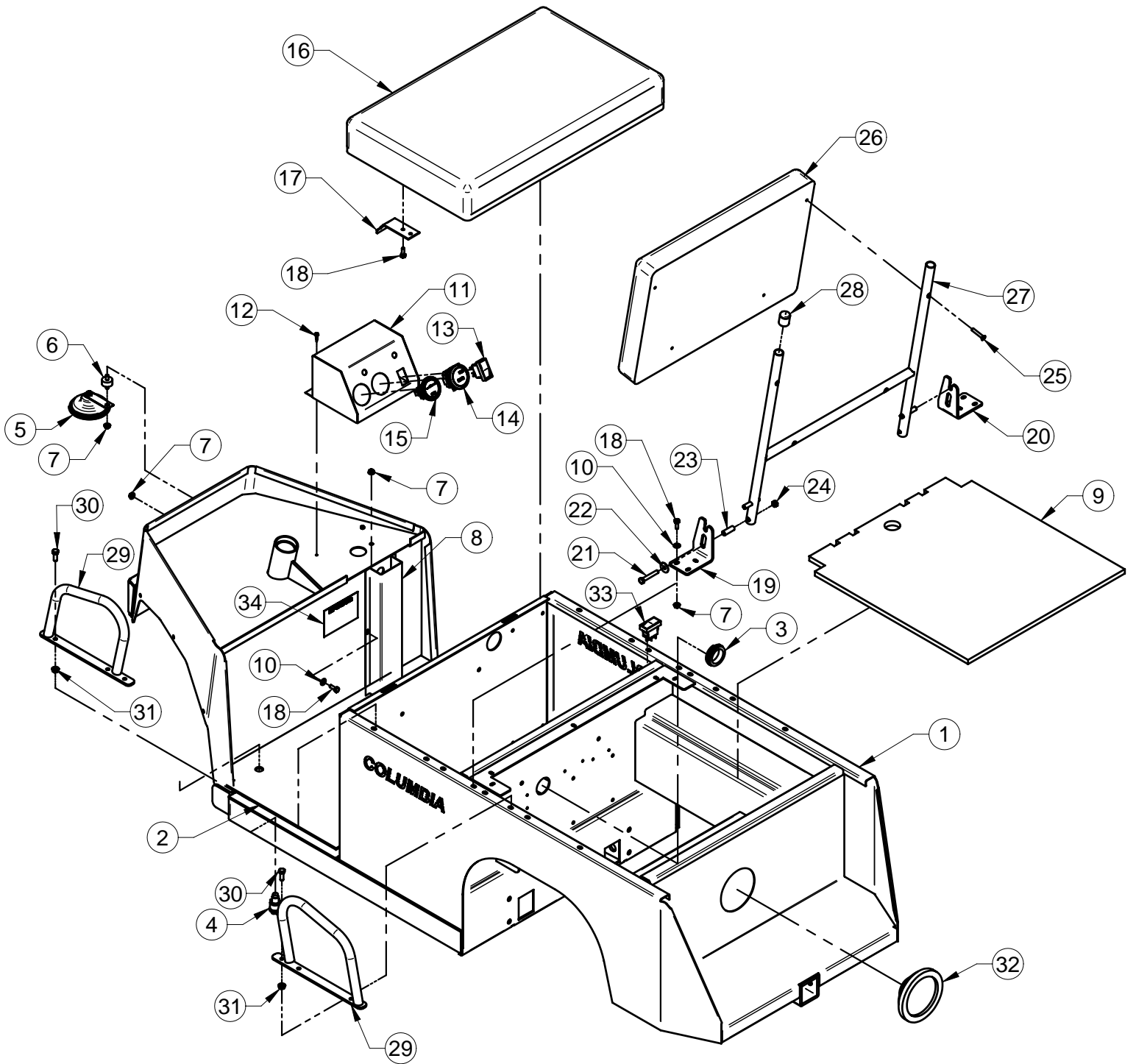
REAR AXLE / WHEEL - EX 21



VER 00

ITEM	CPC PART #	DESCRIPTION	QTY	SI PART #
1		WLDMT, AXLE, EX-21 - 14.76	1	307252
2	4716-W	SCREW, HX HD CAP 3/8-16 X 1 1/4 G5	6	719694
3	6416	WASHER FLT STL BLK ZNC 3/8 STD	4	719796
4	7512	NUT, 3/8-16 GR A SERRATED FLG	6	719860
5	11423	RESILIENT BUMPER-ELEC MOTOR	1	709050
6	69300-03	MOTOR, ELECT., 48V, SEPARATELY EXCITED	1	719135
7	6703-B	WASHER FLT STL 1/4 SAE UNHARD BLK	3	719811
8	7036-B	WASHER LOCK 1/4 REGULAR BLK ZINC	3	719834
9	3993	SCREW, HEX HEAD CAP 1/4-20 X 1-1/4 G5	3	719644
10	41814-86B	BRAKE ASSY, RH AUTO ADJ	1	709170
11		SCREW, 5/16-18 X .75 HEX FLG WHIZ	8	709479_SCR
12		NUT, 5/16-18 HEX HD	8	709479_NUT
13	41844-96	DRUM, BRAKE W/ STUDS	2	461691
14	6655-B	WASHER FLT STL 9/16 STD UNHARD BLK	2	719808
15	7947-B	NUT, 5/8-18 GR 2 SLOTTED HEX BLK MAX	2	719915
16		PIN, COTTER 1/8 X 1.50 YELLOW/ZINC	2	709479_PIN
17		SPACER, WHEEL - 4 HOLE	2	509958
18	40988-95	RIM & TIRE, 4.80 X 8.00 LRB	2	709107
19	43152-66	NUT, 1/2-20, TAPERED WHEEL	8	709002
20	41813-86B	BRAKE ASSY, LH AUTO ADJ	1	709171

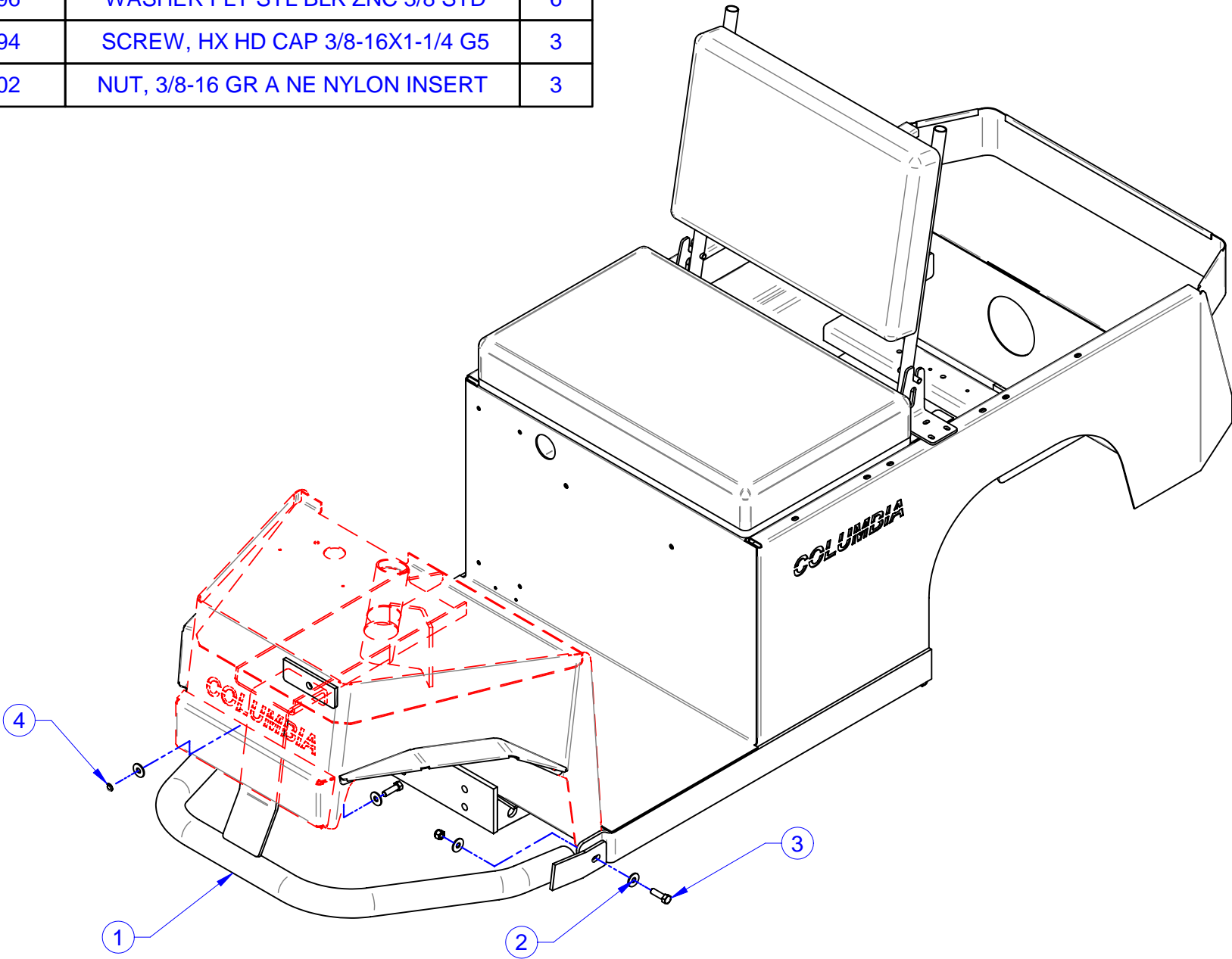
BODY, SEAT AND CONSOLE - EX 21



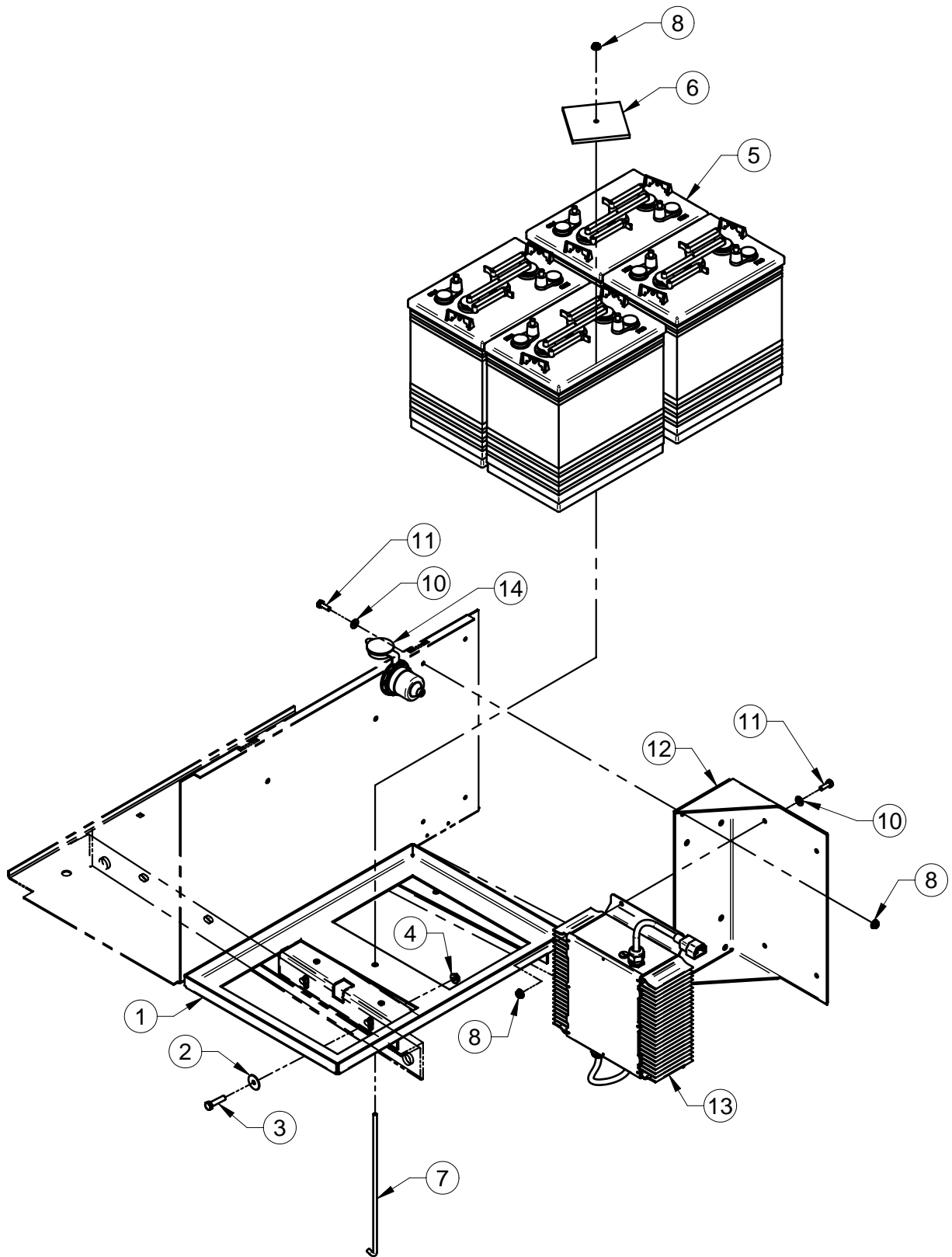
BODY, SEAT AND CONSOLE - EX 21

ITEM	CPC PART #	DESCRIPTION	QTY	SI PART #
1	47945-04	WELDM'T, CHASSIS - EX 21	1	307045
2	50710-96	MAT, FLOOR	1	709702
3	11418-A	GROMMET, 2775 EPDM 3/16 GROVE	1	719523
4	71807-80	HORN SWITCH	1	709385
5	69001-76A	HORN, 12V (2 TERMINAL)	1	709089
6	11452-96	BUMPER, STUD, RUBBER	1	709204
7	7724-B	NUT 1/4-20 GR A SERRATED FLNG LOCK	10	719887
8	47959-04	COVER - COWL WIRING	1	509633
9	90752-96	DECK BOARD - 1/2" P X 22.50" X 20.94"	1	510329
10	6703-B	WASHER FLT STL 1/4 SAE UNHARD BLK	8	719811
11	47950-97	WELDM'T, CONSOLE - EX 21	1	307501
12	2653-B	SCREW, 10-16X3/4, HEX-, WSH-HD, TEK	2	719583
13	76164-04	SWITCH, ROCKER - FWD/REV (DPDT)	1	719391
14	75033-91	HOUR METER 10-80 VOLT DC	1	709452
15	75051-01	BDI GAUGE - 24V ENM	1	709762
16	52999-04	SEAT CUSH W/ OPRT PRESENCE SW- EX 21	1	107787
17	52978-01	TAB, SEAT - FOLDING, W/ LOCK	2	510033
18	3787-B	SCREW, HEX HEAD CAP 1/4-20 X 3/4 G5	12	719636
19	51720-04	PLATE, MTG - SEATBACK, LH	1	509634
20	51721-04	PLATE, MTG - SEATBACK, RH	1	509635
21	2667	SCREW, 5/16-18 X 2" GRD 5 HHC YEL 150	2	719585
22	6830	WASHER FLAT NYLON	2	719816
23	52988-96	BUSHING, SEAT ADJUST	2	719742
24	7739	NUT, 5/16-18, NE, NYLON INSERT, GA, YWZC	2	719892
25	2367	SCREW, 1/4-20 X 1-1/2, POH, M/S, BLK ZC	4	708590
26	52981-96	CUSHION, BACK - EX 21	1	104517
27	52953-96	FRAME, BACK - EX 21	1	304516
28	22370-96	END CAP PLUG, SEATBACK - EX 21	2	729161
29	50027-92	HANDRAIL WELDM'T, EXT BED UTIL	4	303393
30	3991	SCREW, HEX HEAD CAP 5/16-18 X 7/8 G5	12	719643
31	7525	LOCKNUT, 5/16-18 HEX FLG WHIZ	12	719864
32	68020-92	4"RND TAIL LAMP ASSY W/PLUG, SEAL	1	709109
33	71516-01	SWITCH - TOW/RUN	1	709165
34	53299-06	DECAL SET	1	719226

ITEM	PART NO	DESCRIPTION	QTY
1	307830	BUMPER, FRONT - EX 21, 3 WHL	1
2	719796	WASHER FLT STL BLK ZNC 3/8 STD	6
3	719694	SCREW, HX HD CAP 3/8-16X1-1/4 G5	3
4	719902	NUT, 3/8-16 GR A NE NYLON INSERT	3



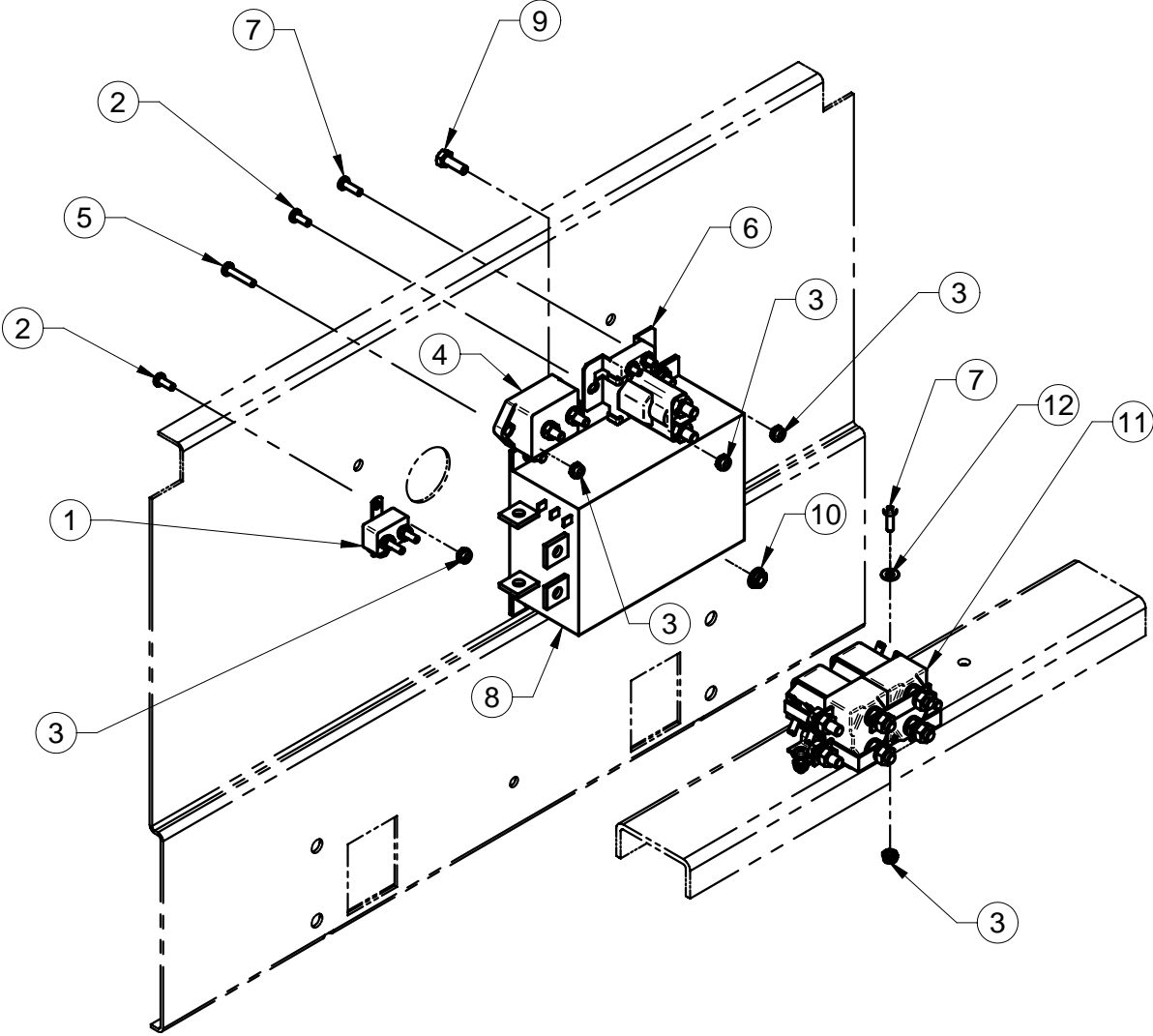
BATTERIES AND CHARGER 24V - EX 21



BATTERIES AND CHARGER - EX 21

ITEM	PART NO	DESCRIPTION	QTY	CPC PART #
1	307500	WELDM'T, BTRY TRAY - 4 X 6V, EX 21	1	67105-04
2	719771	WASHER, 5/16", STD FLAT, BLACK HC ZC	4	6000-B
3	719592	SCR, 5/16-18 X 1-1/4 GRD 5 HHC	4	2871-W
4	719864	LOCKNUT, 5/16-18 HEX FLG WHIZ	4	7525
5	719231	BATTERY, 6V, DEEP CYCLE, (US-145)	4	66005-03
6	709365	PLATE, BATTERY HOLD DOWN	1	66362-96
7	709059	ROD, BATTERY HOLD DOWN	1	66561-90A
8	719887	NUT 1/4-20 GR A SERRATED FLNG LOCK	9	7724-B
10	719811	WASHER FLT STL 1/4 SAE UNHARD BLK	8	6703-B
11	719636	SCREW, HEX HEAD CAP 1/4-20 X 3/4 G5	8	3787-B
12	307471	BRKT, IS-11, CHARGER MT, DELTA Q	1	66437-03
13	719247	CHARGER, DELTA Q - 24V SEALED	1	43500-03
14	709558	PLUG, POWER INLET 120V SEALED	1	66034-02
*	719264	POWER CORD, 3 PRONG GRD	1	66493-03
* NOT PICTURED IN ILLUSTRATION				

ELECTRICAL CONTROLS - EX 21/TE 31 (SERIES)

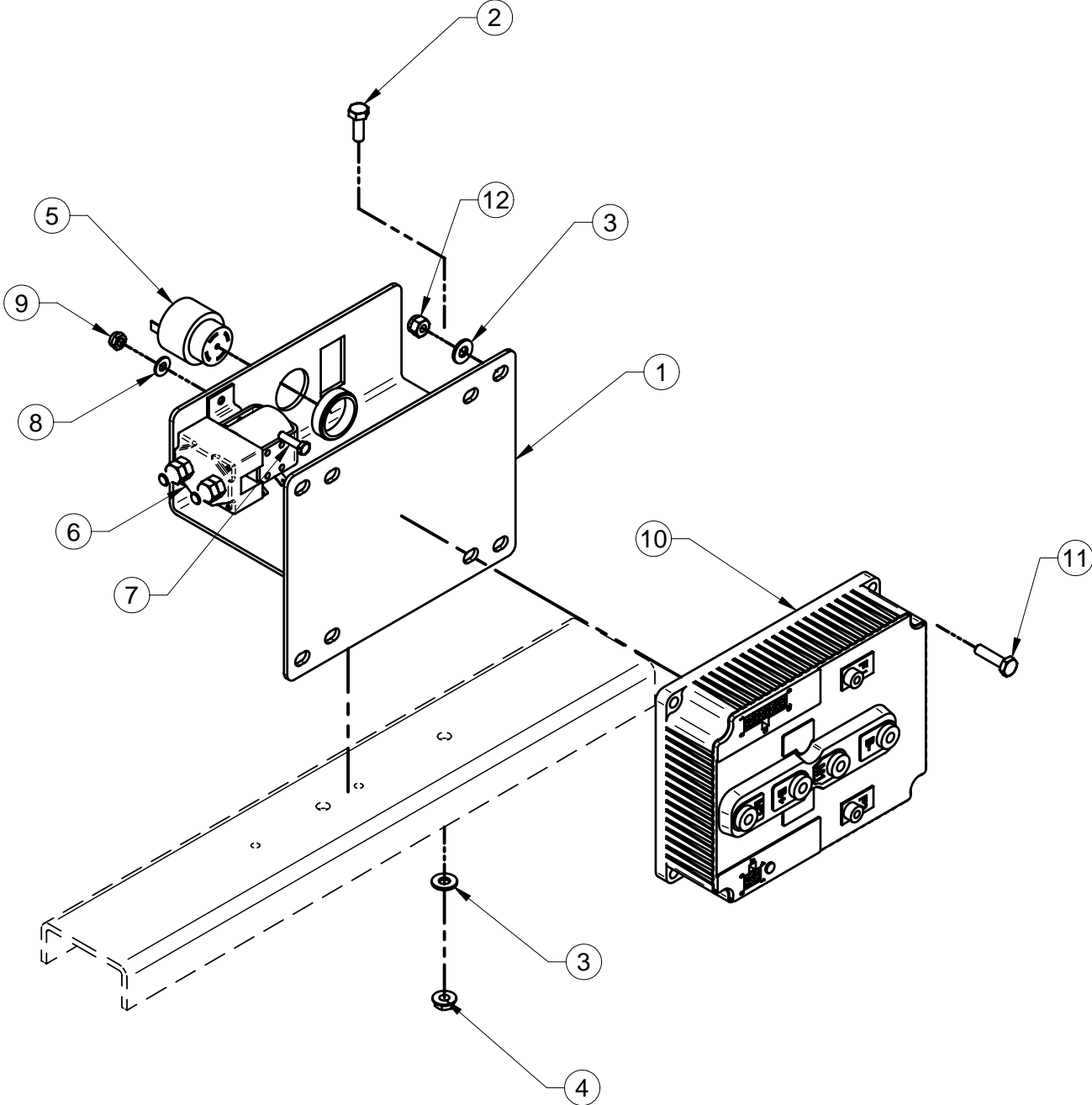


ELECTRICAL CONTROLS - EX 21/TE31 (SERIES)

JUNE 16, 2004

ITEM	PART NO	DESCRIPTION	QTY	CPC PART #
1	709398	CIRCUIT BREAKER 20 AMP	1	74591-96
2	719566	SCREW, 10-24 X 1/2 PHILLIPS PHM	3	2592
3	719870	NUT 10-24 GR A NM MACH NYLON LOCK	8	7624
4	709446	CIRCUIT BREAKER, 90-AMP	1	74590-96
5	719567	SCREW, 10-24 X 1", PH, MS,ZC	2	2595
6	709214	SOLENOID, 12V	1	71470-87
7	719584	SCREW, 10-24 X 5/8 PHILLIPS PHM	3	2665
8	709379	SPEED CONTROLLER - 36 V	1	74883-87
9	719636	SCREW, HEX HEAD CAP 1/4-20 X 3/4 G5	4	3787-B
10	719887	NUT, 1/4-20 SERR FLNG LK NUT	4	7724-B
11	709399	SOLENOID, DOUBLE - 12 V COILS	1	69823-00
12	719812	WASHER FLT STL #10 SAE UNHARD BLK	2	6716

ELECTRICAL CONTROLS - EX 21/TE 31 (ACE PLUS)



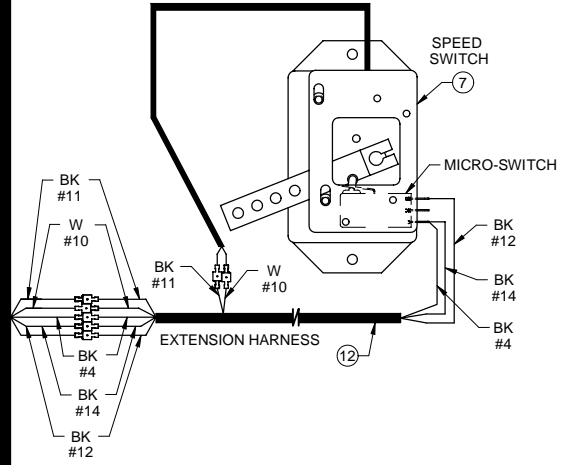
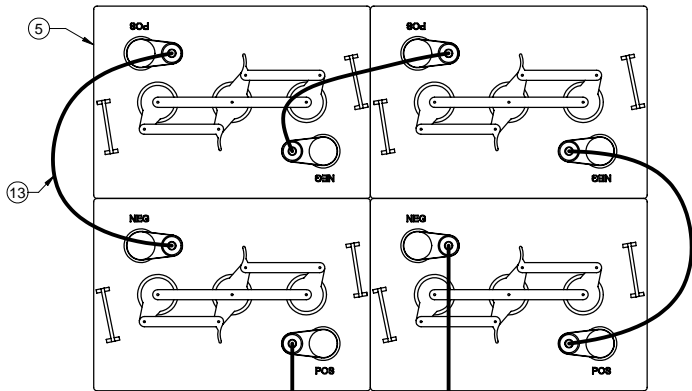
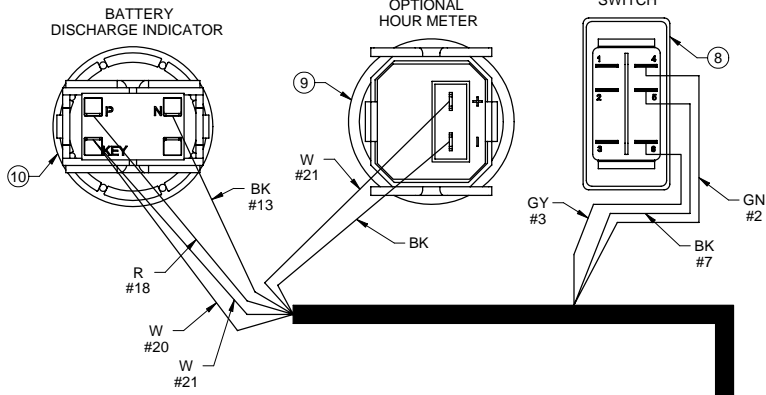
ELECTRICAL CONTROLS - EX 21/TE 31 (ACE pLUS)

ITEM #	PART #	DESCRIPTION	QTY	CPC PART #
1	307685	CONTROLS MTG A/ - EX 21, ACE PLUS	1	
2	719636	SCREW, HEX HEAD CAP 1/4-20 X 3/4 G5	2	3787-B
3	719811	WASHER FLT STL 1/4 SAE UNHARD BLK	6	6703-B
4	719887	NUT, 1/4-20 SERR FLNG LK NUT	2	7724-B
5	709038	BUZZER, REVERSE - 9/48 V DC	1	71408-96
6	709166	CONTACTOR W/ MTG BRKT - 24 V (SW80)	1	71455-01
7	719551	SCR, #10-24 X 3/4" HEX HD MACH	2	2339
8	719812	WASHER FLT STL #10 SAE UNHARD BLK	2	6716
9	719870	NUT, #10-24 GR A NM MACH NYLON LOCK	2	7624
10	719293	CNTRL, SEVCON REGEN HP, 500 A, 24-48 V	1	
11	719564	SCREW, 1/4-20 X 1 GRD 5 HHC YEL 150	4	2551-W
12	719879	NUT 1/4-20 GR A NE NYLON INSERT LCK	4	7686

BATTERY DISCHARGE INDICATOR

OPTIONAL HOUR METER

FWD/REV ROCKER SWITCH

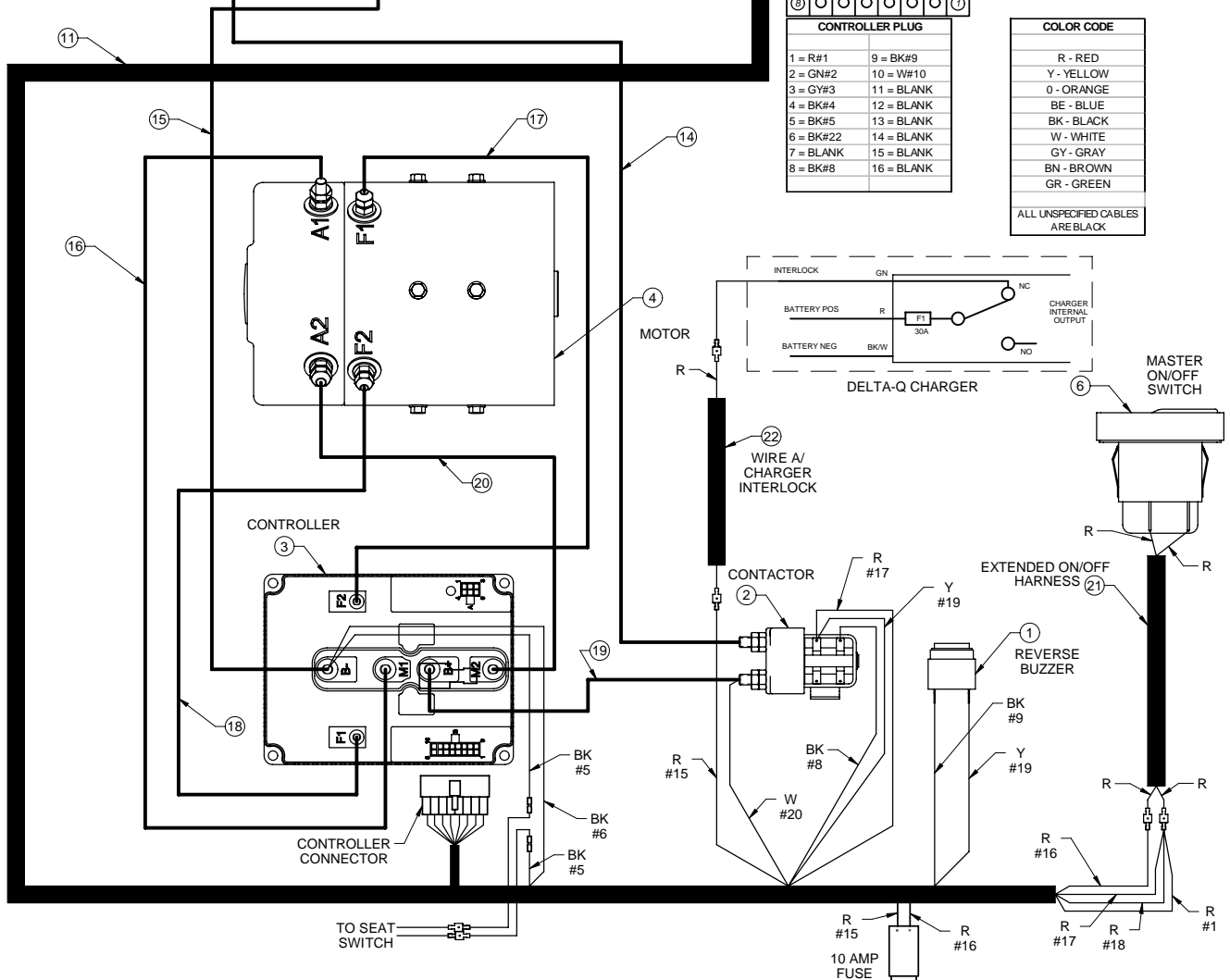


CONTROLLER PLUG	
1 = R#1	9 = BK#9
2 = GN#2	10 = W#10
3 = GY#3	11 = BLANK
4 = BK#4	12 = BLANK
5 = BK#5	13 = BLANK
6 = BK#22	14 = BLANK
7 = BLANK	15 = BLANK
8 = BK#8	16 = BLANK

WIRE #'S ARE LABELED

COLOR CODE	
R	- RED
Y	- YELLOW
O	- ORANGE
BE	- BLUE
BK	- BLACK
W	- WHITE
GY	- GRAY
BN	- BROWN
GR	- GREEN

ALL UNSPECIFIED CABLES ARE BLACK



ELECTRICAL CONTROLS - EX 21/TE 31 (ACE pLUS)

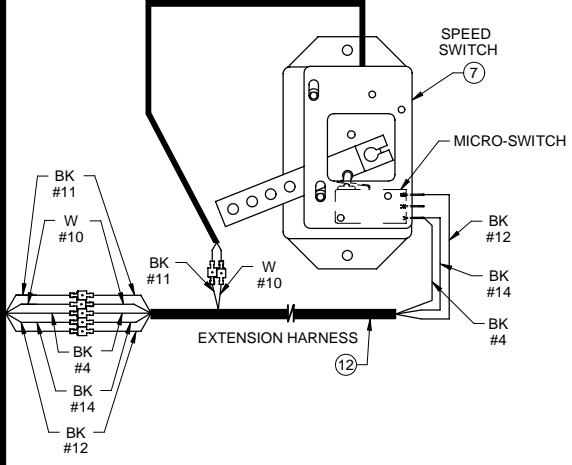
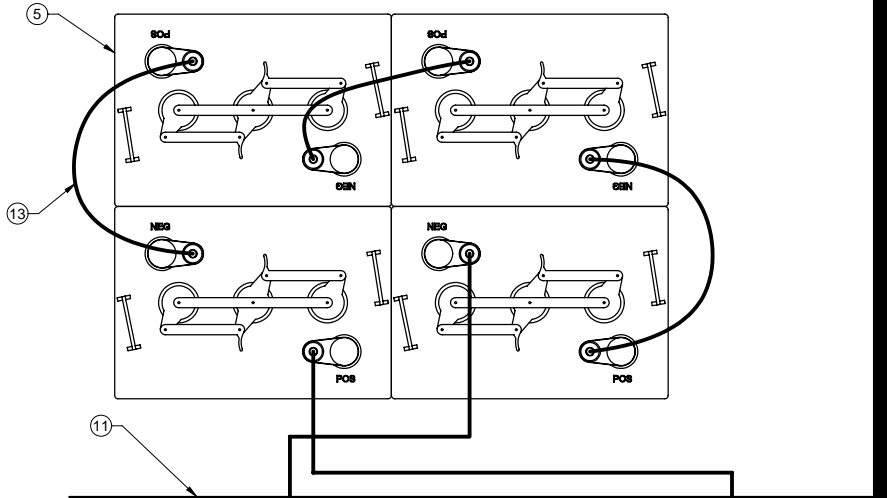
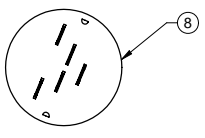
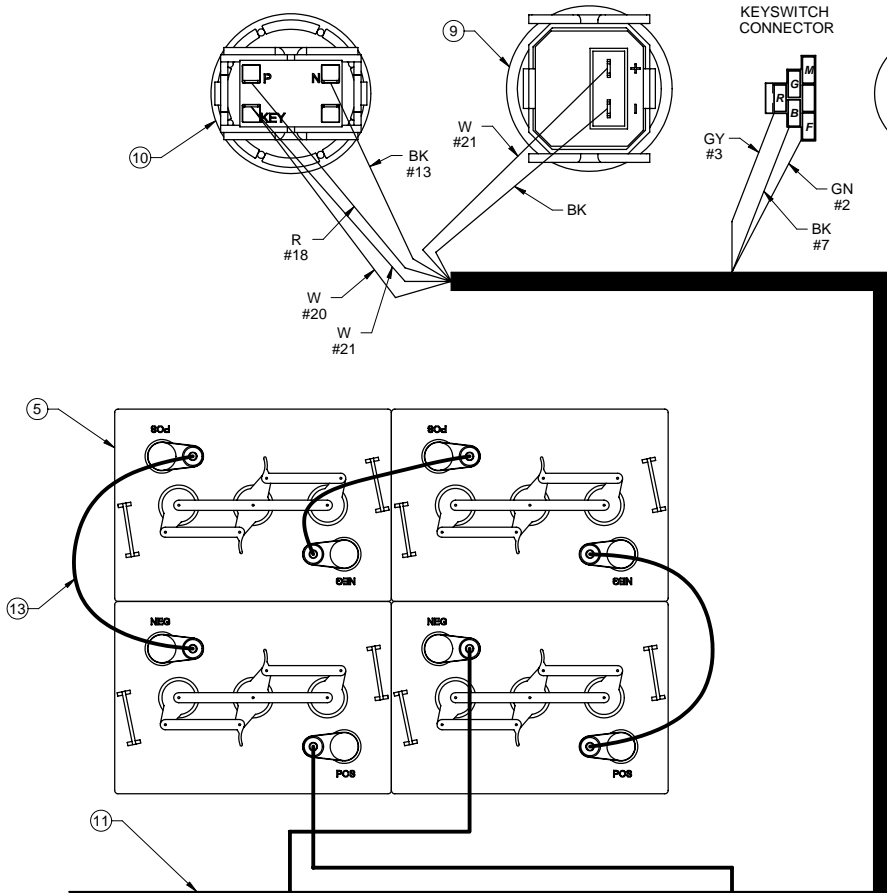
ITEM #	PART #	DESCRIPTION	QTY	CPC PART #
1	709038	BUZZER, REVERSE - 9-48 V DC	1	71408-96
2	709166	CONTACTOR W/ MTG BRKT - 24 V (SW80)	1	71455-01
3	719293	CNTRL, SEVCON REGEN HP, 500 A, 24-48 V	1	47892-04
4	719135	MOTOR, ELECT SEP EXCITED	1	69300-03
5	719231	BATTERY, 6 V DEEP CYCLE (US-145)	4	66005-03
6	709165	SWITCH, MASTER	1	71516-01
7	464043	SWITCH, SPEED ASSY	1	70061-00
8	719391	SWITCH, ROCKER - FWD/REV DPDT	1	76164-04
9	709452	HOURMETER (OPTIONAL)	1	75033-91
10	709762	BATTERY DISCHARGE INDICATOR	1	75051-01
11	709706-02	HARNESS, MAIN	1	70068-02A
*	709786	FUSE, 10 AMP (ATC/ATO)	1	74596-02
12	719404	HARNESS, EXTENSION - SPEED	1	67514-04
13	709004	CABLE, ASSY - 4GA X 8.75"	3	70099-88
*	719408	INSULATOR BOOT, CABLE TERMINAL	12	50009-04
14	709019	CABLE, ASSY - POSITIVE 4GA X 37"	1	70105-88
*	749180	MARKER, POSITIVE (+)	1	71581-84
15	709019	CABLE, ASSY NEGATIVE 4 GA X 37"	1	70105-88
16	709732	CABLE, ASSY 4GA X 25.5"	1	70112-95
*	719601	MARKER, A1	1	32971-67
17	709732	CABLE, ASSY 4GA X 25.5"	1	70112-67
*	719331	MARKER, F1	1	32972-04
18	709732	CABLE, ASSY 4GA X 25.5"	1	70112-67
*	719330	MARKER, F2	1	32973-04
19	709033	CABLE, ASSY 6GA X 14"	1	70447-90
*	749180	MARKER, POSITIVE (+)	1	71581-84
20	709732	CABLE, ASSY 4GA X 25.5"	1	70112-67
*	719600	MARKER, A2	1	32970-67
21	467219	HARNESS, EXTENSION - MASTER	1	67513-04
22	467218	HARNESS, EXTENSION - CHARGER INTERLOCK	1	67512-04
*	708534	SWITCH, SEAT CUSHION	1	51706-04

BATTERY DISCHARGE INDICATOR

OPTIONAL HOUR METER

KEYSWITCH CONNECTOR

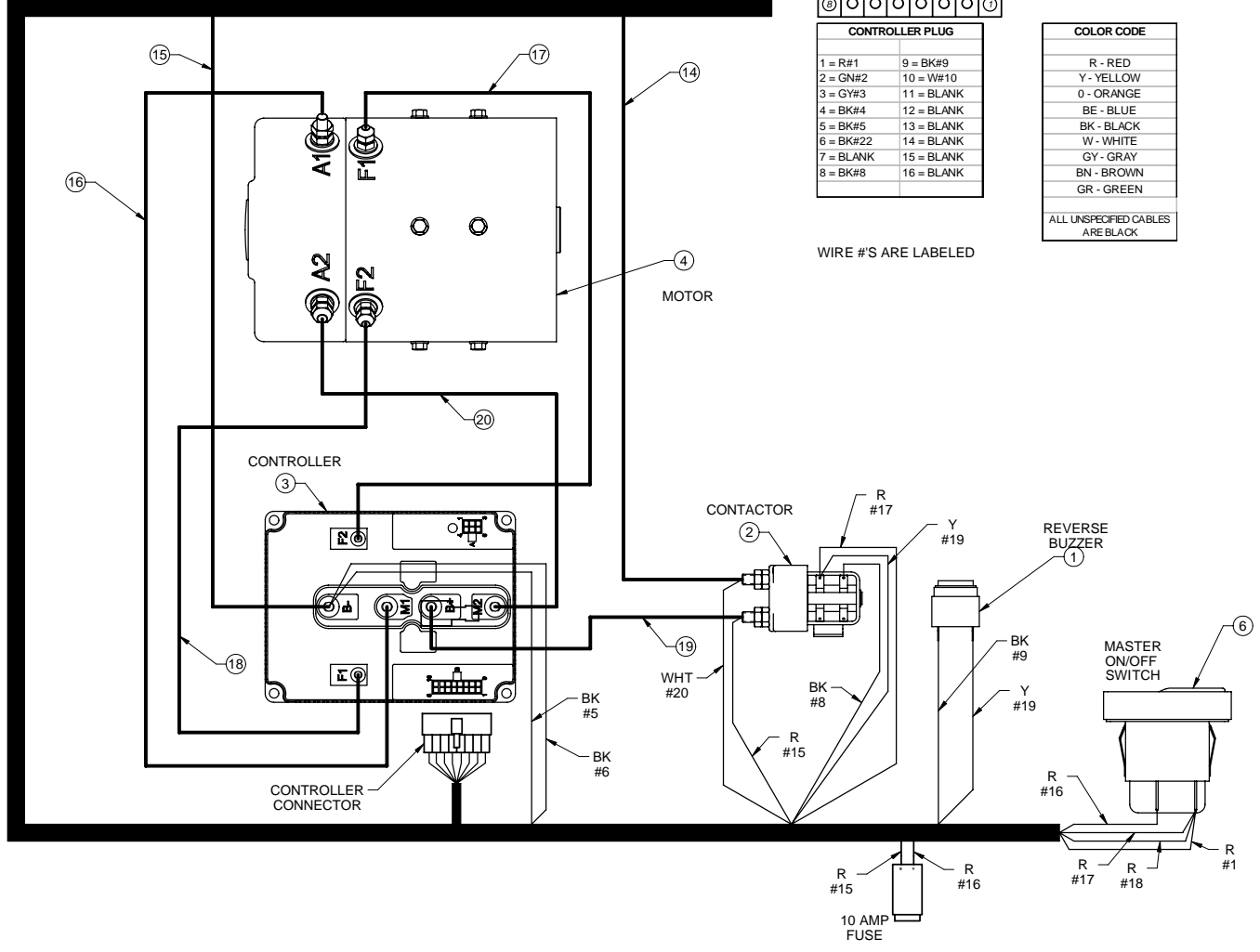
KEYSWITCH



CONTROLLER PLUG	
1 = R#1	9 = BK#9
2 = GN#2	10 = W#10
3 = GY#3	11 = BLANK
4 = BK#4	12 = BLANK
5 = BK#5	13 = BLANK
6 = BK#22	14 = BLANK
7 = BLANK	15 = BLANK
8 = BK#8	16 = BLANK

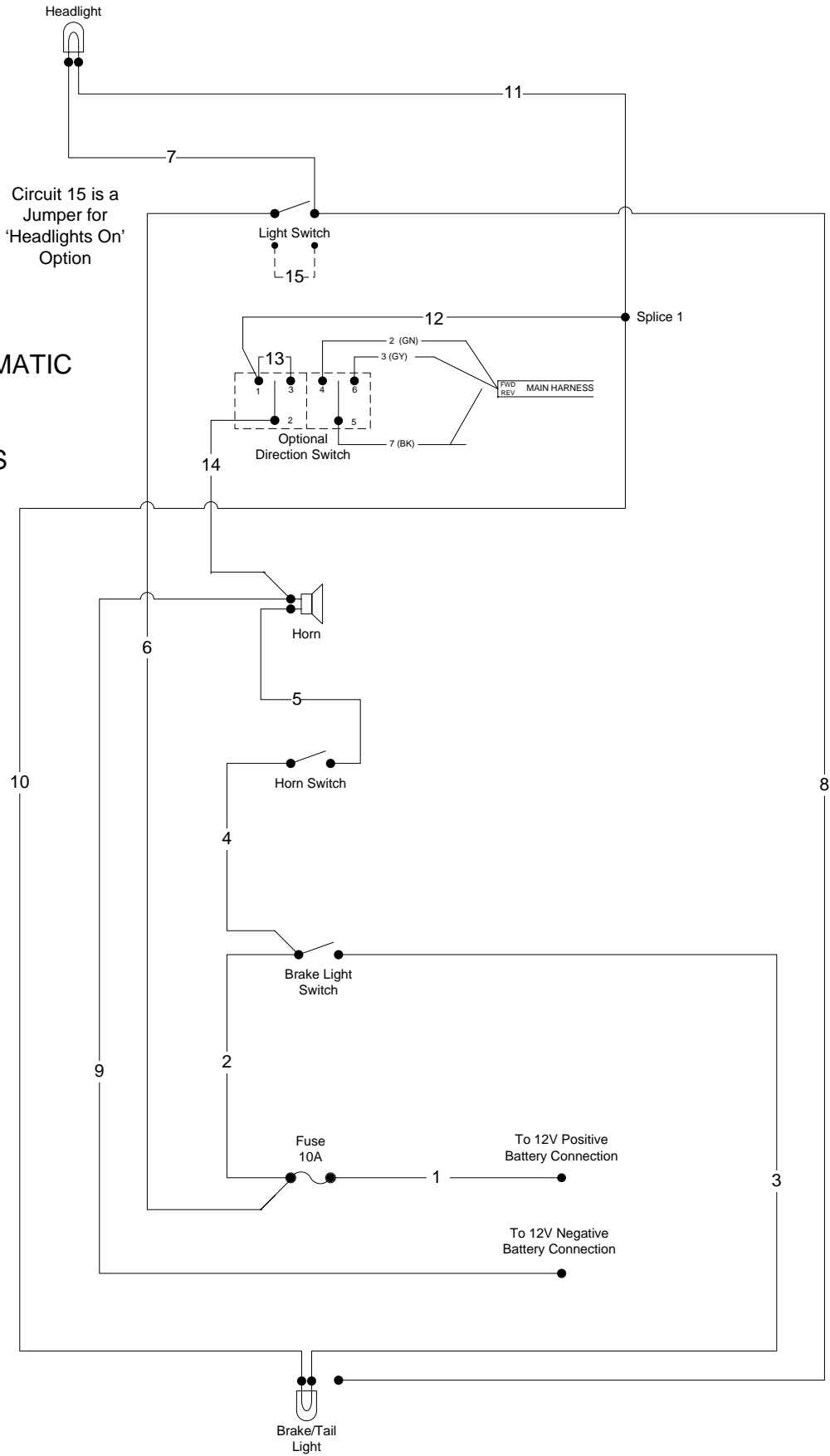
COLOR CODE	
R - RED	
Y - YELLOW	
O - ORANGE	
BE - BLUE	
BK - BLACK	
W - WHITE	
GY - GRAY	
BN - BROWN	
GR - GREEN	
ALL UNSPECIFIED CABLES ARE BLACK	

WIRE #'S ARE LABELED



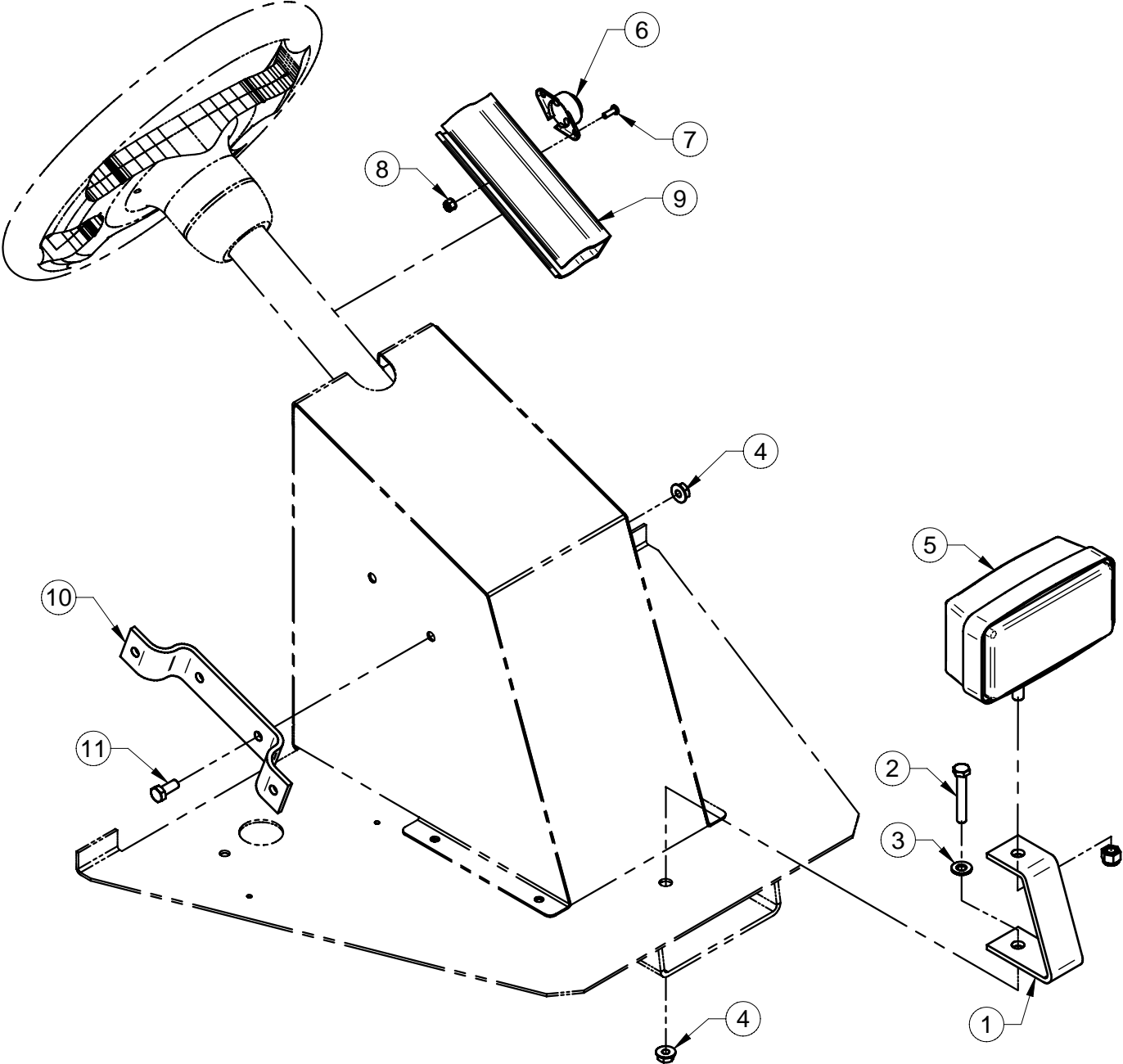
10 AMP FUSE

12 V ACCESSORY SCHEMATIC
W/ OPTIONS
EX 21
719403-00 HARNESS



CIRCUIT NO.	WIRE COLOR
1	RED
2	BLU
3	WHT
4	BLU
5	WHT
6	BLU
7	WHT
8	BLU
9	BLK
10	BLK
11	BLK
12	BLK
13	BLK
14	BLK
15	BLU

HEADLIGHT/HORN SWITCH OPTIONAL - EX 21



ITEM	PART NO	DESCRIPTION	QTY	CPC PART #
1	509203	LIGHT MTG. BRKT.	1	
2	719585	SCREW, 5/16-18 X 2" GRD 5 HHC YEL 150	1	2667
3	6702-B	WASHER FLT STL 5/16 BLK MAXCOAT	1	6702-B
4	719864	LOCKNUT, 5/16-18 HEX FLG WHIZ	3	7525
5	709389	HEADLIGHT	1	67724-91
6	709176	SWITCH, HORN BUTTON, SURACE MOUNT	1	71808-00
7	719571	SCREW, 8-32 X 1/2 PHILLIPS PHM	2	2612-B
8	719686	NUT, #8-32 GR A MACH NYLOK LOCK	2	7609-W
9		HOLDER - HORN	1	
10	739144	BRACKET REAR RETAINER	1	44911-63
11	719642	SCREW, 5/16-18 X 3/4 HHCS, GRADE 5	2	3987-BS